

GT125

Euro-3



 **HYOSUNG**
MOTORS & MACHINERY INC.

REFERENCE

1.The detailed specifications of each model are referred by the persons who are in charge of overseas marketing team, Hyosung.

2.Special demand

When you order any colored parts including Fuel tank, please add color code to the end of parts number and it will be helpful to register your parts order.

※ Color code



Red

OTR



Yellow

OMO



Blue

ODB



Black

OMB

HYOSUNG MOTORS & MACHINERY INC.

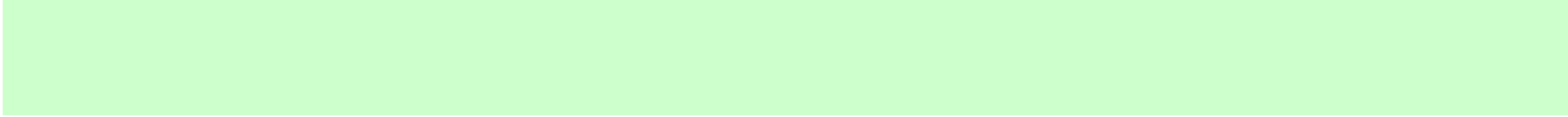


FIG 1-1

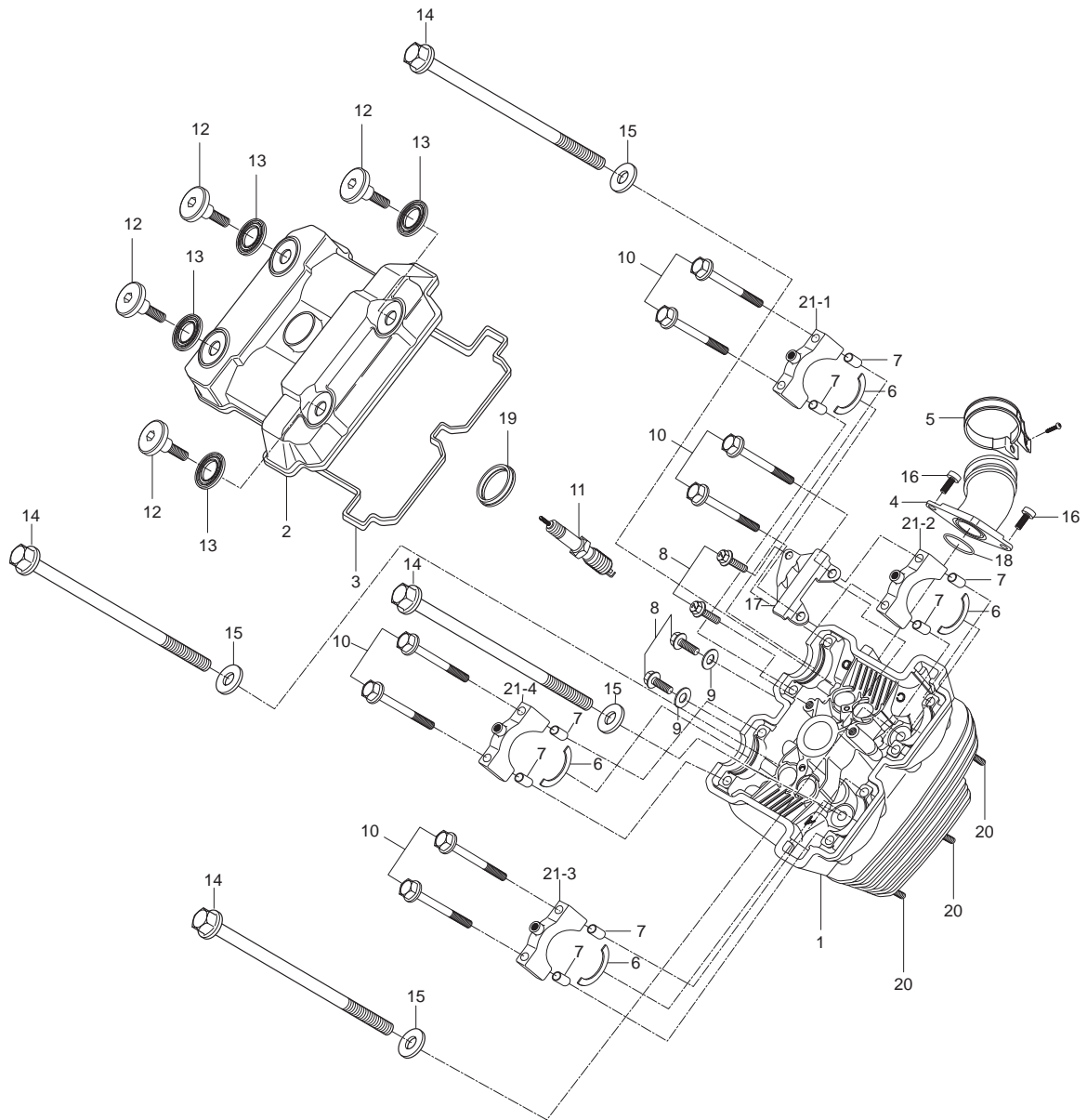


FIG 1-1. CYLINDER HEAD/ (FRONT)

REF.					PARTS NAME	Q'TY	REMARKS	REC.Q'TY
NO.	SEU01	SF01	SG01	SS01				/ 100 Units
1	11110SR6500HPA	11110SR6500HPA	11110SR6500HPA	11110SR6500HPA	HEAD COMP, cylinder	1		6
2	11171HG510203S	11171HG510203S	11171HG510203S	11171HG510203S	COVER, cylinder head	1		6
3	11173HG5100	11173HG5100	11173HG5100	11173HG5100	GASKET, cylinder head cover NO.1	1		20
4	13110HG5122	13110HG5122	13110HG5122	13110HG5122	PIPE COMP, intake front	1		5
5	09402-44207	09402-44207	09402-44207	09402-44207	CLAMP, carburetor	1		10
6	09390-35001	09390-35001	09390-35001	09390-35001	C-RING, camshaft	4		24
7	09206-08001	09206-08001	09206-08001	09206-08001	PIN, camshaft housing knock	8		
8	01517-06128	01517-06128	01517-06128	01517-06128	BOLT, oil galley(M6X12)	4		
9	09168H06019	09168H06019	09168H06019	09168H06019	GASKET, oil galley bolt	2		
10	09103-06013	09103-06013	09103-06013	09103-06013	BOLT, camshaft housing(M6X20)	8		40
11	09482-00456	09482-00456	09482-00456	09482-00456	PLUG, spark CR8E	1		40
12	09109H07018	09109H07018	09109H07018	09109H07018	BOLT, cylinder head cover(M7X17.5)	4		24
13	09161H11008	09161H11008	09161H11008	09161H11008	WASHER, cylinder head cover	4		
14	09103H08306	09103H08306	09103H08306	09103H08306	BOLT, cylinder head(L=130)	4		
15	09168-08021	09168-08021	09168-08021	09168-08021	GASKET, cylinder head bolt	4		40
16	09119H06002	09119H06002	09119H06002	09119H06002	BOLT, intake pipe(M6X16)	2		
17	12782HG5100	12782HG5100	12782HG5100	12782HG5100	GUIDE, camchain NO.2	1		8
18	09280H32006	09280H32006	09280H32006	09280H32006	O-RING, intake pipe	1		8
19	11178-17E00	11178-17E00	11178-17E00	11178-17E00	GASKET, cylinder head cover NO.2	1		10
20	01421-06258	01421-06258	01421-06258	01421-06258	BOLT, cylinder head stud(M6x25)	1		30
21	11121-35C00PCH	11121-35C00PCH	11121-35C00PCH	11121-35C00PCH	HOUSING, camshaft No.1	1		
22	11122-35C00PCH	11122-35C00PCH	11122-35C00PCH	11122-35C00PCH	HOUSING, camshaft No.2	1		
23	11123-35C00PCH	11123-35C00PCH	11123-35C00PCH	11123-35C00PCH	HOUSING, camshaft No.3	1		
24	11124-35C00PCH	11124-35C00PCH	11124-35C00PCH	11124-35C00PCH	HOUSING, camshaft No.4	1		

FIG1-2

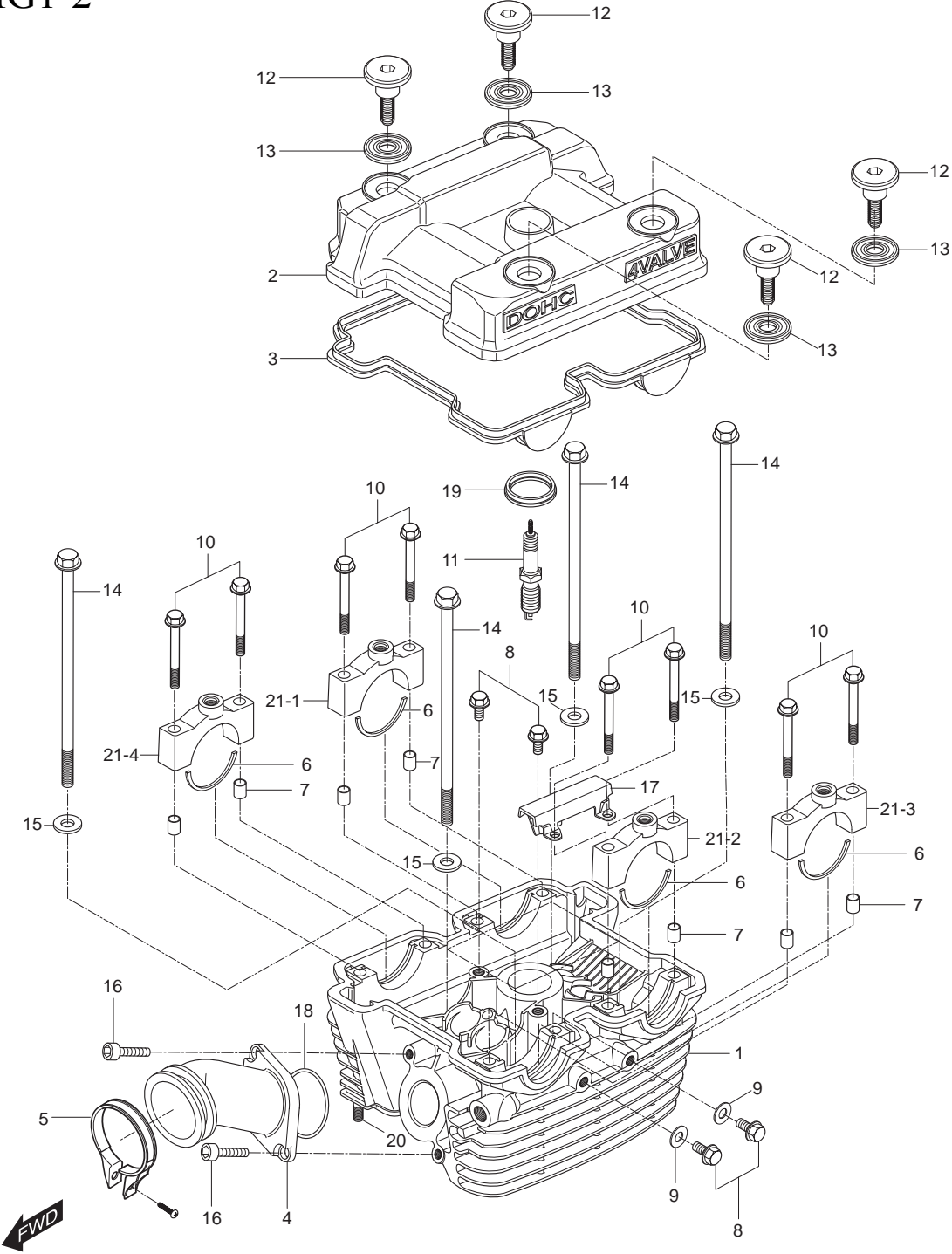


FIG 1-2. CYLINDER HEAD/ (REAR)

REF.					PARTS NAME	Q'TY	REMARKS	
NO.	SEU01	SF01	SG01	SS01				REC. Q'TY
1	11110SR6500HPA	11110SR6500HPA	11110SR6500HPA	11110SR6500HPA	HEAD COMP, cylinder	1		
2	11171HG510203S	11171HG510203S	11171HG510203S	11171HG510203S	COVER, cylinder head	1		
3	11173HG5100	11173HG5100	11173HG5100	11173HG5100	GASKET, cylinder head cover NO.1	1		
4	13120HG5130	13120HG5130	13120HG5130	13120HG5130	PIPE COMP, intake front	1		5
5	09402-44207	09402-44207	09402-44207	09402-44207	CLAMP, carburetor	1		
6	09390-35001	09390-35001	09390-35001	09390-35001	C-RING, camshaft	4		
7	09206-08001	09206-08001	09206-08001	09206-08001	PIN, camshaft housing knock	8		
8	01517-06128	01517-06128	01517-06128	01517-06128	BOLT, oil galley(M6X12)	4		
9	09168H06019	09168H06019	09168H06019	09168H06019	GASKET, oil galley bolt	2		40
10	09103-06013	09103-06013	09103-06013	09103-06013	BOLT, camshaft housing(M6X20)	8		
11	09482-00456	09482-00456	09482-00456	09482-00456	PLUG, spark CR8E	1		
12	09109H07018	09109H07018	09109H07018	09109H07018	BOLT, cylinder head cover(M7X17.5)	4		
13	09161H11008	09161H11008	09161H11008	09161H11008	WASHER, cylinder head cover	4		24
14	09103H08306	09103H08306	09103H08306	09103H08306	BOLT, cylinder head(L=130)	4		24
15	09168-08021	09168-08021	09168-08021	09168-08021	GASKET, cylinder head bolt	4		
16	09119H06002	09119H06002	09119H06002	09119H06002	BOLT, intake pipe(M6X16)	2		
17	12782HG5100	12782HG5100	12782HG5100	12782HG5100	GUIDE, camchain NO.2	1		
18	09280H32006	09280H32006	09280H32006	09280H32006	O-RING, intake pipe	1		
19	11178-17E00	11178-17E00	11178-17E00	11178-17E00	GASKET, cylinder head cover NO.2	1		
20	01421-06258	01421-06258	01421-06258	01421-06258	BOLT, cylinder head stud(M6x25)	3		
21	11121-35C00PCH	11121-35C00PCH	11121-35C00PCH	11121-35C00PCH	HOUSING, camshaft No.1	1		
22	11122-35C00PCH	11122-35C00PCH	11122-35C00PCH	11122-35C00PCH	HOUSING, camshaft No.2	1		
23	11123-35C00PCH	11123-35C00PCH	11123-35C00PCH	11123-35C00PCH	HOUSING, camshaft No.3	1		
24	11124-35C00PCH	11124-35C00PCH	11124-35C00PCH	11124-35C00PCH	HOUSING, camshaft No.4	1		

FIG 2

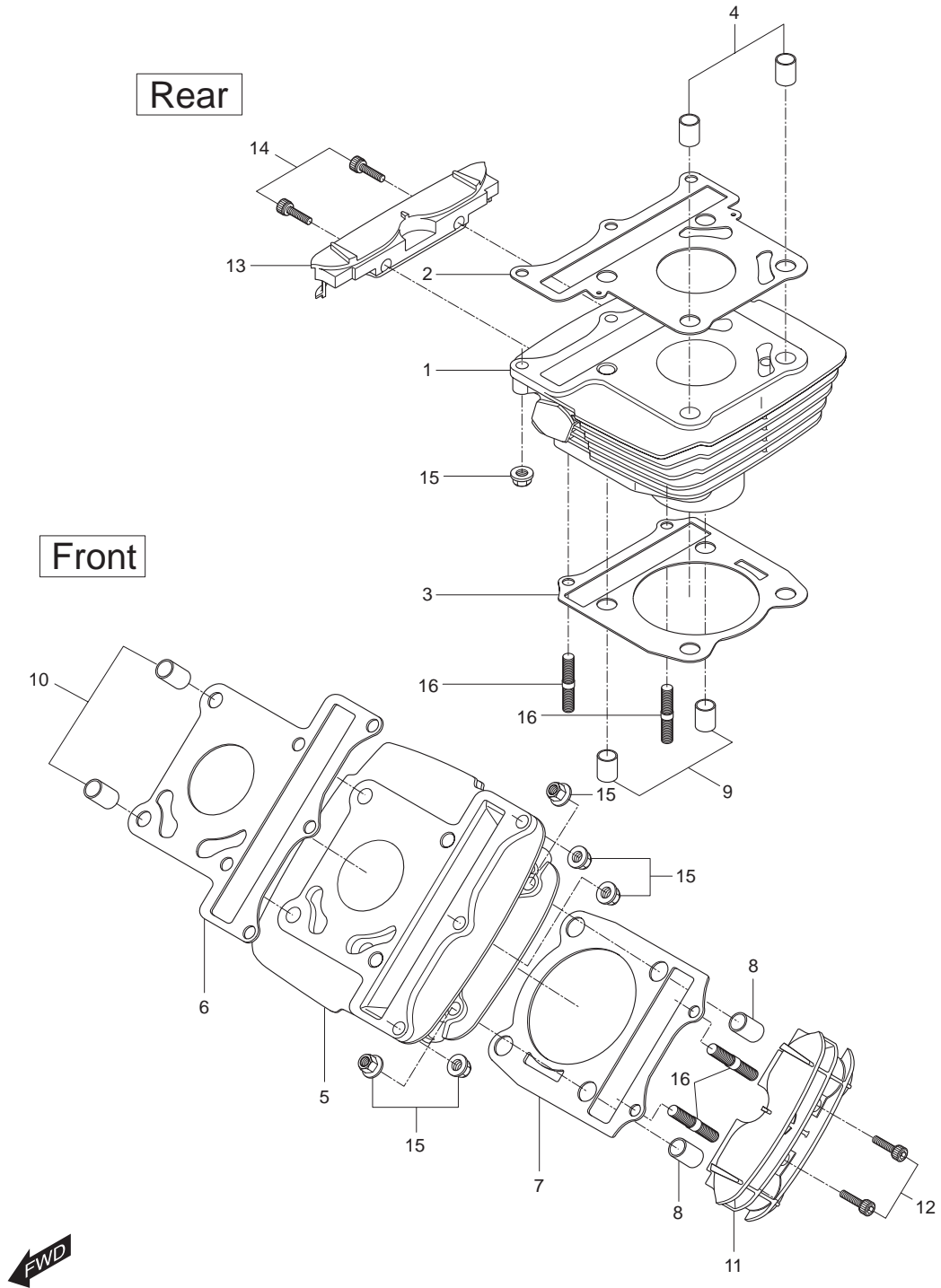


FIG 2. CYLINDER/FRONT, REAR

REF.					PARTS NAME	Q'TY	REMARKS	
NO.	SEU01	SF01	SG01	SS01				REC. Q'TY
1	11220HR6501PCY	11220HR6501PCY	11220HR6501PCY	11220HR6501PCY	CYLINDER COMP, rear	1		3
2	11141HG5110	11141HG5110	11141HG5110	11141HG5110	GASKET, cylinder head	1		20
3	11241HG5103	11241HG5103	11241HG5103	11241HG5103	GASKET, cylinder(NA)	1		20
4	04213-11169	04213-11169	04213-11169	04213-11169	PIN, cylinder head knock	2		
5	11210HR6551PCY	11210HR6551PCY	11210HR6551PCY	11210HR6551PCY	CYLINDER COMP, front	1		
6	11141HG5110	11141HG5110	11141HG5110	11141HG5110	GASKET, cylinder head	1		
7	11241HG5103	11241HG5103	11241HG5103	11241HG5103	GASKET, cylinder	1		
8	04213-11149	04213-11149	04213-11149	04213-11149	KNOCK PIN, cylinder	2		6
9	04213-11149	04213-11149	04213-11149	04213-11149	KNOCK PIN, cylinder	2		6
10	04213-11169	04213-11169	04213-11169	04213-11169	PIN, cylinder head knock	2		12
11	11251HG510003S	11251HG510003S	11251HG510003S	11251HG510003S	FIN, cylinder(FRONT)	1		
12	07110-05168	07110-05168	07110-05168	07110-05168	BOLT, cylinder fin(FRONT)(M5×16)	2		12
13	11251HG510003S	11251HG510003S	11251HG510003S	11251HG510003S	FIN, cylinder(REAR)	1		
14	07110-05168	07110-05168	07110-05168	07110-05168	BOLT, cylinder fin(REAR)(M5×16)	2		
15	08316-16068	08316-16068	08316-16068	08316-16068	NUT, cylinder head(M6)	10		30
16	01421-06258	01421-06258	01421-06258	01421-06258	BOLT, cylinder stud(M6×25)	4		

FIG 3

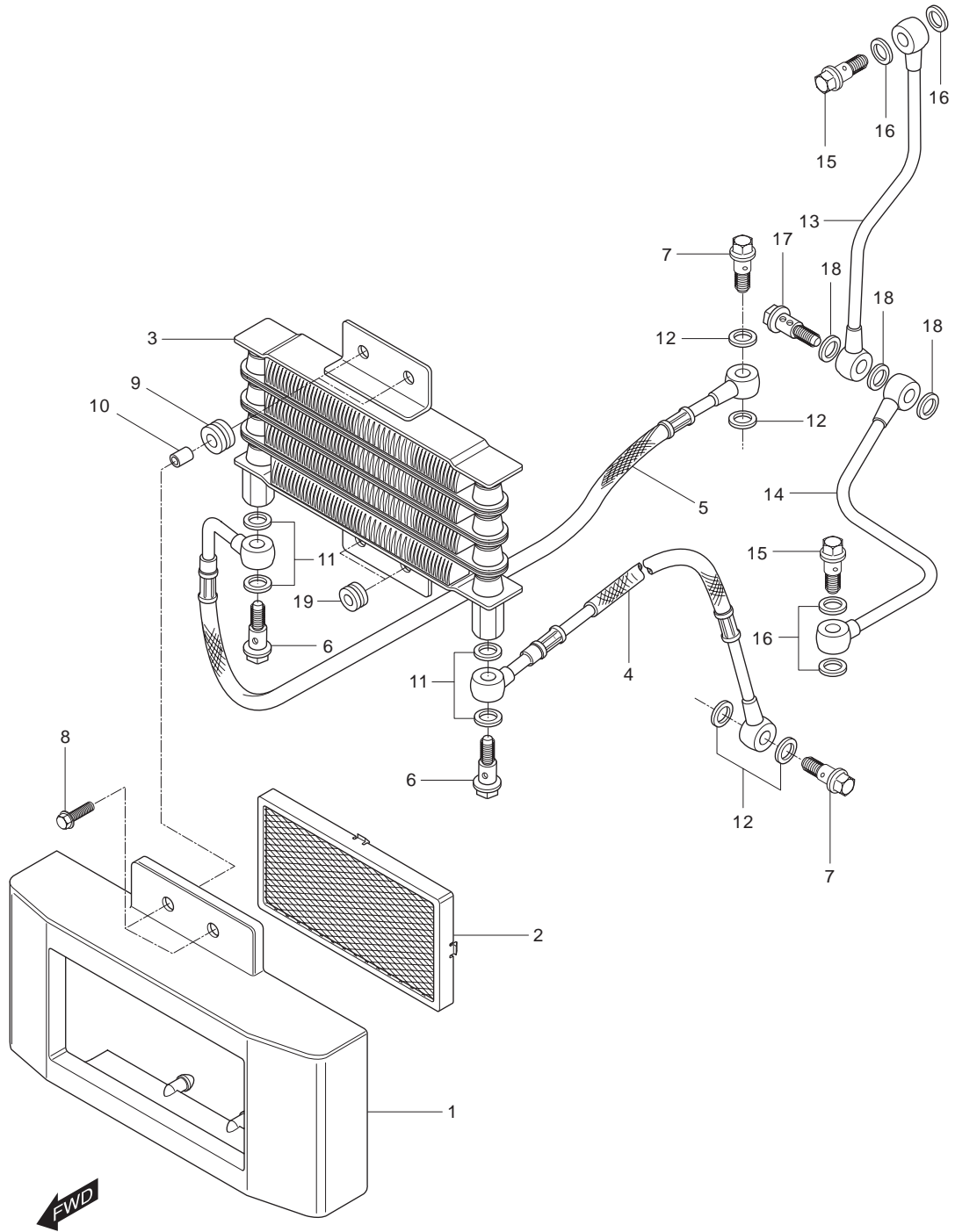


FIG 3. OIL COOLER

REF.					PARTS NAME	Q'TY	REMARKS	
NO.	SEU01	SF01	SG01	SS01				REC. Q'TY
1	16810HG5104	16810HG5104	16810HG5104	16810HG5104	GRILLE COMP, oil cooler NO.1	1		5
2	16820HG5103	16820HG5103	16820HG5103	16820HG5103	GRILLE COMP, oil cooler No.2	1		5
3	16600HG5102	16600HG5102	16600HG5102	16600HG5102	COOLER, oil	1		5
4	16460HM7900	16460HM7900	16460HM7900	16460HM7900	HOSE COMP, oil cooler NO.1	1		5
5	16470HG5101	16470HG5101	16470HG5101	16470HG5101	HOSE COMP, oil cooler NO.2	1		5
6	09360H12007	09360H12007	09360H12007	09360H12007	BOLT, oil cooler hose union NO.2(M12× 27.	2		10
7	09360H10034	09360H10034	09360H10034	09360H10034	BOLT, oil cooler hose union NO.1(M10× 24.	2		20
8	09116-06010	09116-06010	09116-06010	09116-06010	BOLT, oil cooler	2		
9	09320-08013	09320-08013	09320-08013	09320-08013	CUSHION, oil cooler	2		
10	09180-06030	09180-06030	09180-06030	09180-06030	SPACER, oil cooler	2		
11	09161-10009	09161-10009	09161-10009	09161-10009	GASKET, oil cooler NO.1	4		44
12	09168-14011	09168-14011	09168-14011	09168-14011	GASKET, oil cooler NO.2	4		16
13	11280HG5101	11280HG5101	11280HG5101	11280HG5101	PIPE COMP, oil front	1		3
14	11290HG5101	11290HG5101	11290HG5101	11290HG5101	PIPE COMP, oil rear	1		3
15	09360H10034	09360H10034	09360H10034	09360H10034	UNION BOLT, oil pipe upper(M10×24)	2		
16	09161-10009	09161-10009	09161-10009	09161-10009	GASKET, oil pipe upper	4		
17	15331HG5101	15331HG5101	15331HG5101	15331HG5101	UNION BOLT, oil pipe lower	1		5
18	09161-10009	09161-10009	09161-10009	09161-10009	GASKET, oil pipe lower	3		
19	09320-10015	09320-10015	09320-10015	09320-10015	CUSHION	2		

FIG 4

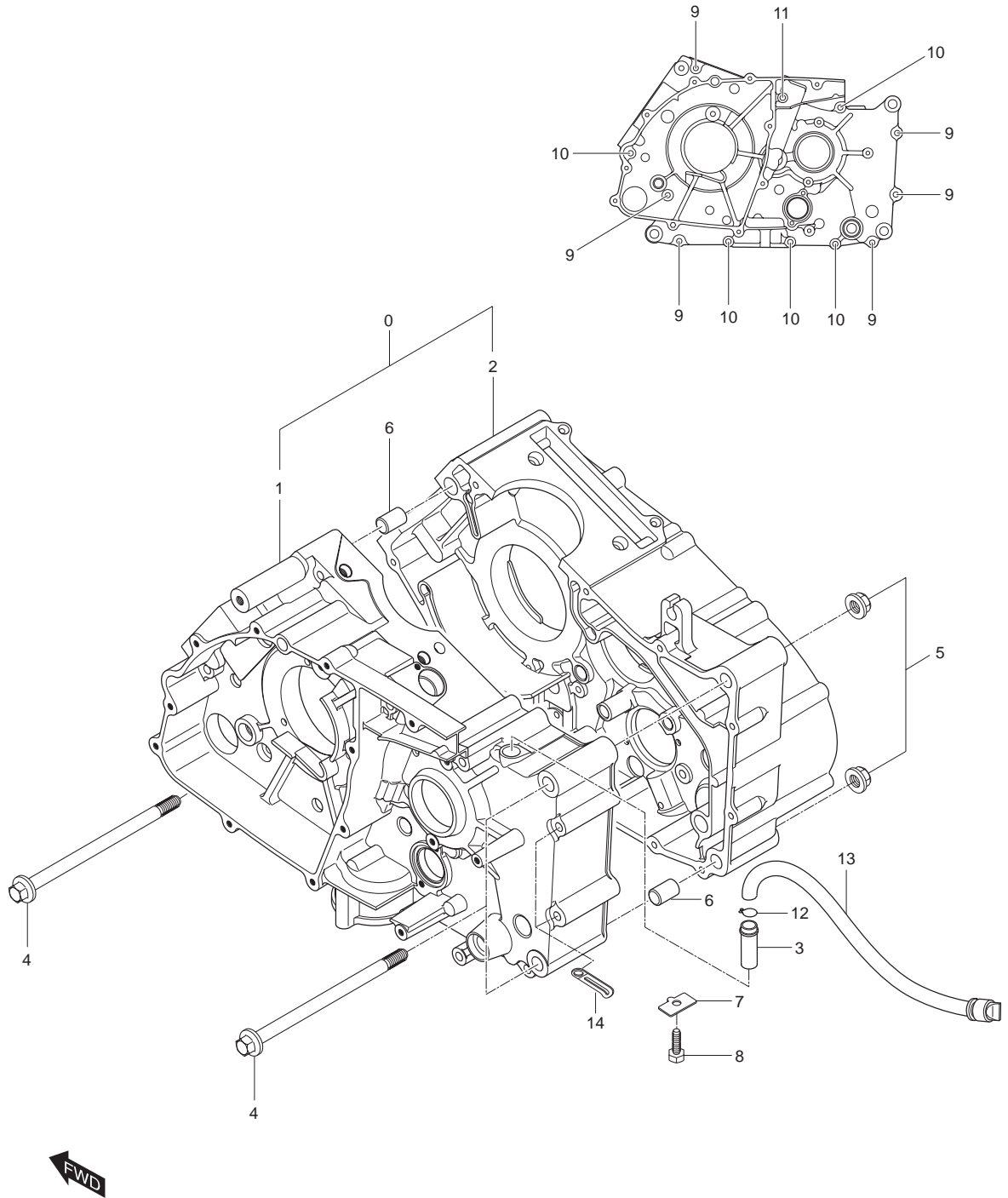


FIG 4. CRANK CASE

REF.					PARTS NAME	Q'TY	REMARKS	
NO.	SEU01	SF01	SG01	SS01				REC. Q'TY
0	11300HM7900HPA	11300HM7900HPA	11300HM7900HPA	11300HM7900HPA	CRANK CASE ASS'Y	1		
1	11320HM7901PCC	11320HM7901PCC	11320HM7901PCC	11320HM7901PCC	CRANK CASE COMP, L	1		1
2	11310HM7900PCC	11310HM7900PCC	11310HM7900PCC	11310HM7900PCC	CRANK CASE COMP, R	1		1
3	09364-12001	09364-12001	09364-12001	09364-12001	UNION, breather hose	1		
4	09103H10022	09103H10022	09103H10022	09103H10022	BOLT, frame & engine(L=110)	3		
5	08319-31106	08319-31106	08319-31106	08319-31106	NUT, frame & engine(M10)	3		16
6	04213-13189	04213-13189	04213-13189	04213-13189	PIN, crank case knock	2		
7	11319-05200	11319-05200	11319-05200	11319-05200	PLATE, oil gallery plug	1		
8	01107-06106	01107-06106	01107-06106	01107-06106	BOLT, oil gallery plug plate(M6× 10)	1		
9	01547-06558	01547-06558	01547-06558	01547-06558	BOLT, crank case(M6×55)	6		24
10	01547-06808	01547-06808	01547-06808	01547-06808	BOLT, crank case(M6×80)	5		
11	02112-06908	02112-06908	02112-06908	02112-06908	SCREW, crank case(M6×90)	1		
12	09401-14301	09401-14301	09401-14301	09401-14301	CLIP, breather drain cap	1		
13	13870H29B00	13870H29B00	13870H29B00	13870H29B00	CAP COMP,breather drain	1		
14	09404-06404	09404-06404	09404-06404	09404-06404	CLAMP, crank case	2		

FIG 5

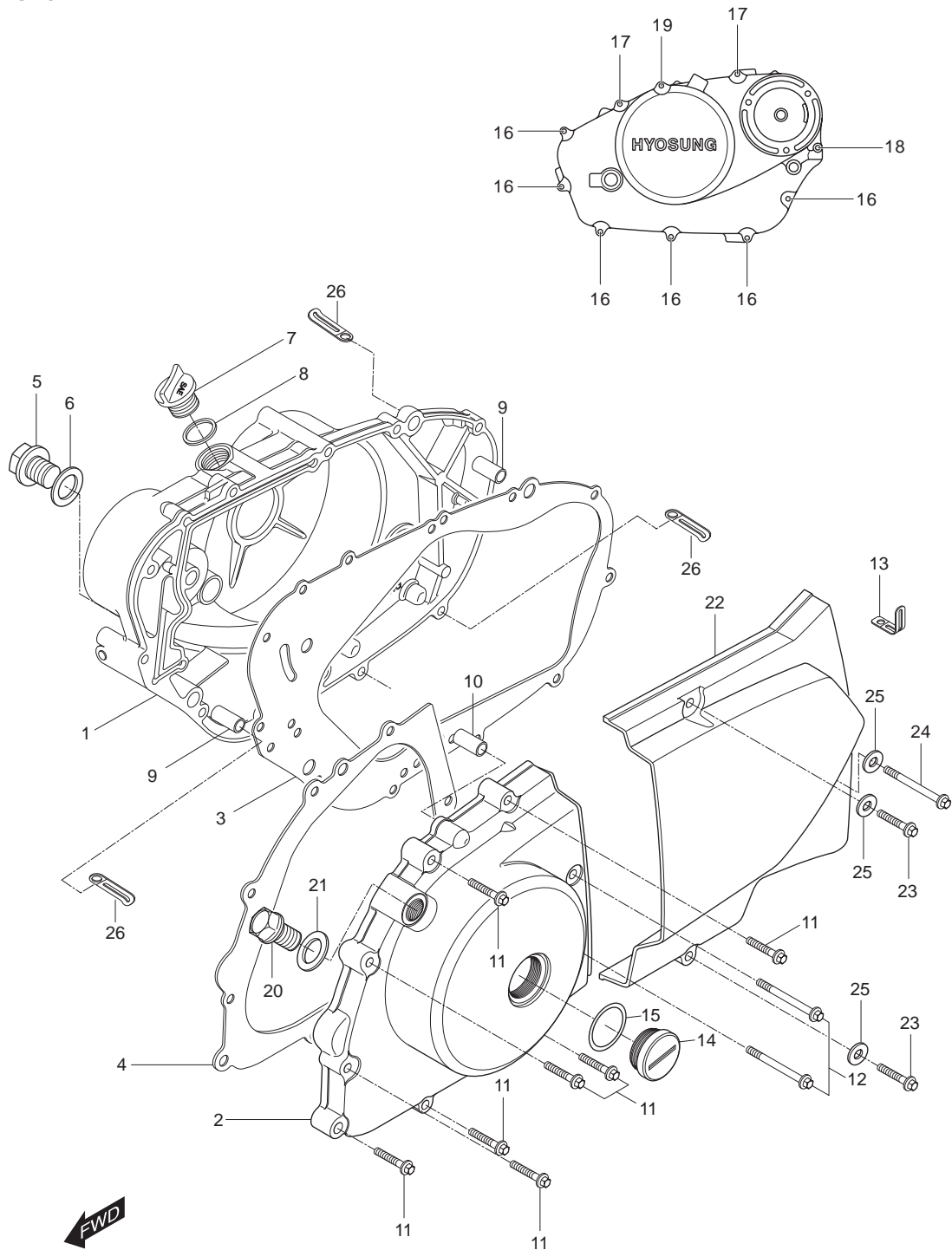


FIG 5. CRANK CASE COVER

REF.					PARTS NAME	Q'TY	REMARKS	
NO.	SEU01	SF01	SG01	SS01				REC. Q'TY
1	11341SM8100HPA	11341SM8100HPA	11341SM8100HPA	11341SM8100HPA	COVER COMP,clutch	1		2
2	11351HG510203S	11351HG510203S	11351HG510203S	11351HG510203S	COVER , magneto	1		2
3	11482HG5102	11482HG5102	11482HG5102	11482HG5102	GASKET, clutch cover(NA)	1		10
4	11483HG5102	11483HG5102	11483HG5102	11483HG5102	GASKET, magneto cover(NA)	1		10
5	09247-14026	09247-14026	09247-14026	09247-14026	PLUG, oil check	1		
6	09168H14003	09168H14003	09168H14003	09168H14003	GASKET, oil check plug	1		30
7	09259-2000903S	09259-2000903S	09259-2000903S	09259-2000903S	PLUG, eng oil filler	1		2
8	09280-17003	09280-17003	09280-17003	09280-17003	O-RING, eng oil filler plug(16.8×2.4)	1		5
9	04213-13189	04213-13189	04213-13189	04213-13189	PIN, clutch cover knock	2		
10	04213-09129	04213-09129	04213-09129	04213-09129	PIN, magneto cover knock	1		
11	01547-06308	01547-06308	01547-06308	01547-06308	BOLT, magneto cover(M6× 30)	7		33
12	01547-06558	01547-06558	01547-06558	01547-06558	BOLT, magneto cover	2		
13	09403H09304	09403H09304	09403H09304	09403H09304	CLAMP, clutch cable	1		
14	09259-2601503S	09259-2601503S	09259-2601503S	09259-2601503S	PLUG, crank shaft hole	1		4
15	09280-22008	09280-22008	09280-22008	09280-22008	O-RING, crank shaft hole plug(22.7×3.1)	1		5
16	01547-06258	01547-06258	01547-06258	01547-06258	BOLT, clutch cover(M6×25)	6		12
17	01547-06358	01547-06358	01547-06358	01547-06358	BOLT, clutch cover(M6×35)	2		6
18	01547-06608	01547-06608	01547-06608	01547-06608	BOLT, clutch cover(M6×60)	1		5
19	01547-06758	01547-06758	01547-06758	01547-06758	BOLT, clutch cover(M6×75)	1		5
20	09247H12102	09247H12102	09247H12102	09247H12102	PLUG, T.D.C	1		5
21	09168H12003	09168H12003	09168H12003	09168H12003	GASKET, T.D.C plug	1		5
22	11360HM790103S	11360HM790103S	11360HM790103S	11360HM790103S	COVER COMP, engine sprocket	1		5
23	01547-06308	01547-06308	01547-06308	01547-06308	BOLT, engine sprocket cover(M6×30)	2		
24	01547-06508	01547-06508	01547-06508	01547-06508	BOLT, engine sprocket cover(M6×50)	1		5
25	08321-31068	08321-31068	08321-31068	08321-31068	WASHER, engine sprocket cover	3		
26	09404-06401	09404-06401	09404-06401	09404-06401	CLAMP, crank case	3		

FIG 6

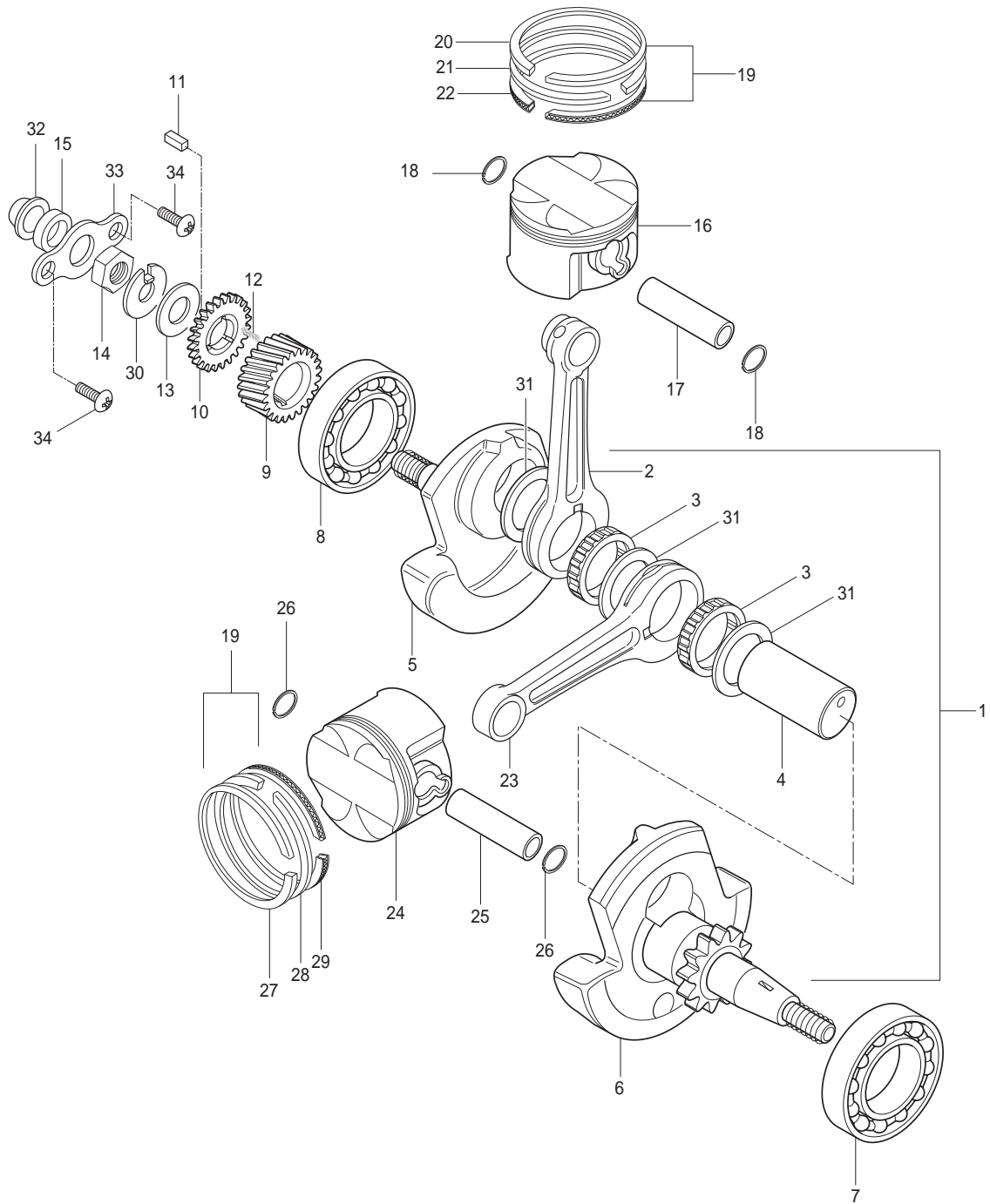


FIG 6. CRANK SHAFT

REF.					PARTS NAME	Q'TY	REMARKS	
NO.	SEU01	SF01	SG01	SS01				REC. Q'TY
1	12200HG5100HPA	12200HG5100HPA	12200HG5100HPA	12200HG5100HPA	CRANK SHAFT ASS'Y	1		
2	12161HG5100	12161HG5100	12161HG5100	12161HG5100	ROD, connecting	1		12
3	09263H28003	09263H28003	09263H28003	09263H28003	BEARING, crank pin	2		10
4	12210HG5100HPA	12210HG5100HPA	12210HG5100HPA	12210HG5100HPA	PIN COMP, crank	1		5
5	12221HG5106CSA	12221HG5106CSA	12221HG5106CSA	12221HG5106CSA	CRANK SHAFT, R	1		
6	12261HG5104CSA	12261HG5104CSA	12261HG5104CSA	12261HG5104CSA	CRANK SHAFT, L	1		
7	09262H350A60A0	09262H350A60A0	09262H350A60A0	09262H350A60A0	BEARING, crank shaft, R(35×72×17)	1		5
8	09262H350A60A0	09262H350A60A0	09262H350A60A0	09262H350A60A0	BEARING, crank shaft, L(35×72×17)	1		5
9	21111HG5100	21111HG5100	21111HG5100	21111HG5100	GEAR, primary drive	1		
10	21112-35C00	21112-35C00	21112-35C00	21112-35C00	GEAR, primary drive NO.2	1		
11	09421-04004	09421-04004	09421-04004	09421-04004	KEY, primary drive gear	1		
12	21114-35C00	21114-35C00	21114-35C00	21114-35C00	SPRING, primary drive gear	3		
13	09166H16021	09166H16021	09166H16021	09166H16021	WASHER, primary drive gear thrust	1		
14	09140-16019	09140-16019	09140-16019	09140-16019	NUT, primary drive gear(M16)	1		
15	09282-12001	09282-12001	09282-12001	09282-12001	SEAL, crank shaft oil R(21×7)	1		7
16	12112HG5100PPS	12112HG5100PPS	12112HG5100PPS	12112HG5100PPS	PISTON, rear	1		7
17	12151HG5102	12151HG5102	12151HG5102	12151HG5102	PIN, piston	1		14
18	09381-13001	09381-13001	09381-13001	09381-13001	CIRCLIP, piston pin	2		28
19	12140HG5101	12140HG5101	12140HG5101	12140HG5101	RING SET, piston	2	NOT SALE	
20	12141HG5101	12141HG5101	12141HG5101	12141HG5101	RING, piston 1st	1		20
21	12142HG5101	12142HG5101	12142HG5101	12142HG5101	RING, piston 2nd	1		
22	12144HG5101	12144HG5101	12144HG5101	12144HG5101	RING, piston oil	1		
23	12161HG5100	12161HG5100	12161HG5100	12161HG5100	ROD, connecting	1		
24	12111HG5106PPS	12111HG5106PPS	12111HG5106PPS	12111HG5106PPS	PISTON, front	1		7
25	12151HG5102	12151HG5102	12151HG5102	12151HG5102	PIN, piston	1		
26	09381-13001	09381-13001	09381-13001	09381-13001	CIRCLIP, piston pin	2		
27	12141HG5101	12141HG5101	12141HG5101	12141HG5101	RING, piston 1st	1		
28	12142HG5101	12142HG5101	12142HG5101	12142HG5101	RING, piston 2nd	1		20
29	12144HG5101	12144HG5101	12144HG5101	12144HG5101	RING, piston oil	1		20

FIG 6

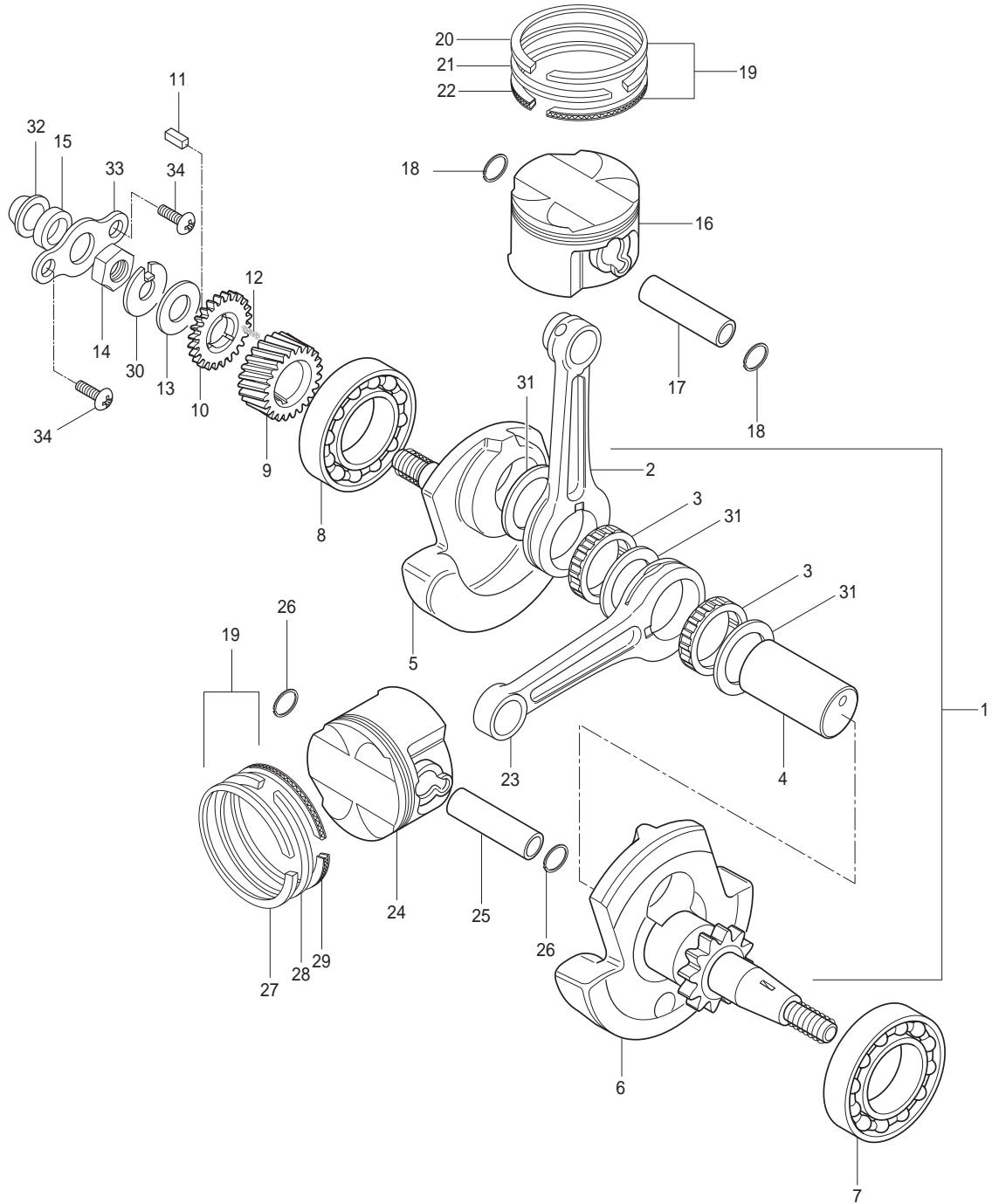


FIG 6. CRANK SHAFT

REF.					PARTS NAME	Q`TY	REMARKS	
NO.	SEU01	SF01	SG01	SS01				REC. Q`TY
30	09166H16031	09166H16031	09166H16031	09166H16031	WASHER, primary drive gear lock	1		
31	09160H28001	09160H28001	09160H28001	09160H28001	WASHER	3		
32	11342HG5100	11342HG5100	11342HG5100	11342HG5100	JET	1		
33	11343HG5100	11343HG5100	11343HG5100	11343HG5100	RETAINER	1		
34	02112-06106	02112-06106	02112-06106	02112-06106	SCREW(M6×10)	2		

FIG 7

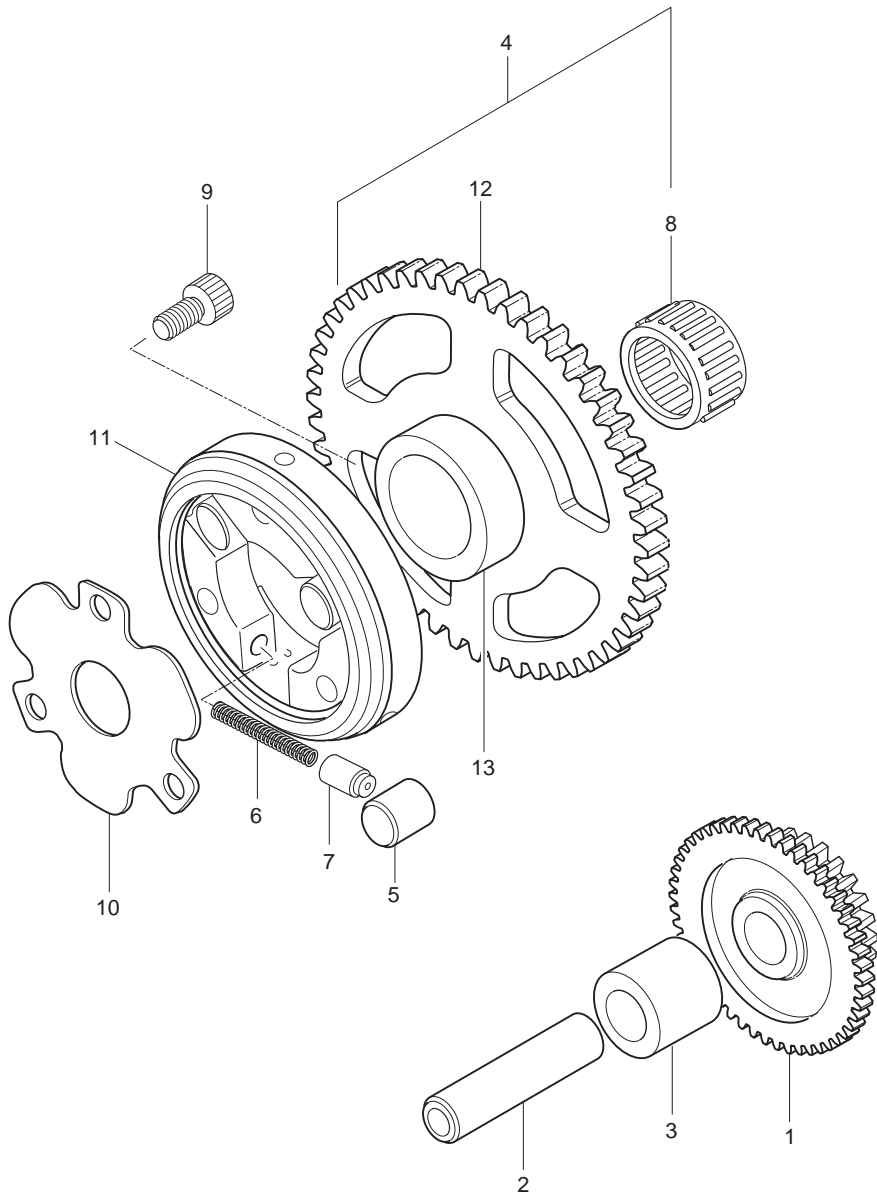


FIG 7. STARTER CLUTCH

REF.					PARTS NAME	Q'TY	REMARKS	
NO.	SEU01	SF01	SG01	SS01				REC. Q'TY
1	12611HG5100	12611HG5100	12611HG5100	12611HG5100	GEAR, starter idle	1		
2	12612HG5100	12612HG5100	12612HG5100	12612HG5100	SHAFT, starter idle gear	1		
3	09180-13006	09180-13006	09180-13006	09180-13006	SPACE, starter idle gear	1		
4	12620HG5101	12620HG5101	12620HG5101	12620HG5101	GEAR COMP, starter clutch	1		5
5	09261-10003	09261-10003	09261-10003	09261-10003	ROLLER, starter clutch	3		
6	09440-03004	09440-03004	09440-03004	09440-03004	SPRING, starter clutch release push	3		
7	12633-05300	12633-05300	12633-05300	12633-05300	PIECE, starter clutch release push	3		
8	09263-22031	09263-22031	09263-22031	09263-22031	BEARING, starter clutch gear	1		
9	07110-08168	07110-08168	07110-08168	07110-08168	BOLT, starter clutch (M8×16)	3		
10	12649-05300	12649-05300	12649-05300	12649-05300	SHIM, starter clutch hub	1		
11	12630-29B00	12630-29B00	12630-29B00	12630-29B00	HUB COMP, starter clutch	1		
12	12620HG5101	12620HG5101	12620HG5101	12620HG5101	GEAR, starter clutch	1	NOT SALE	
13	12621HG5100	12621HG5100	12621HG5100	12621HG5100	RACE, starter clutch inner	1	NOT SALE	

FIG 8-1

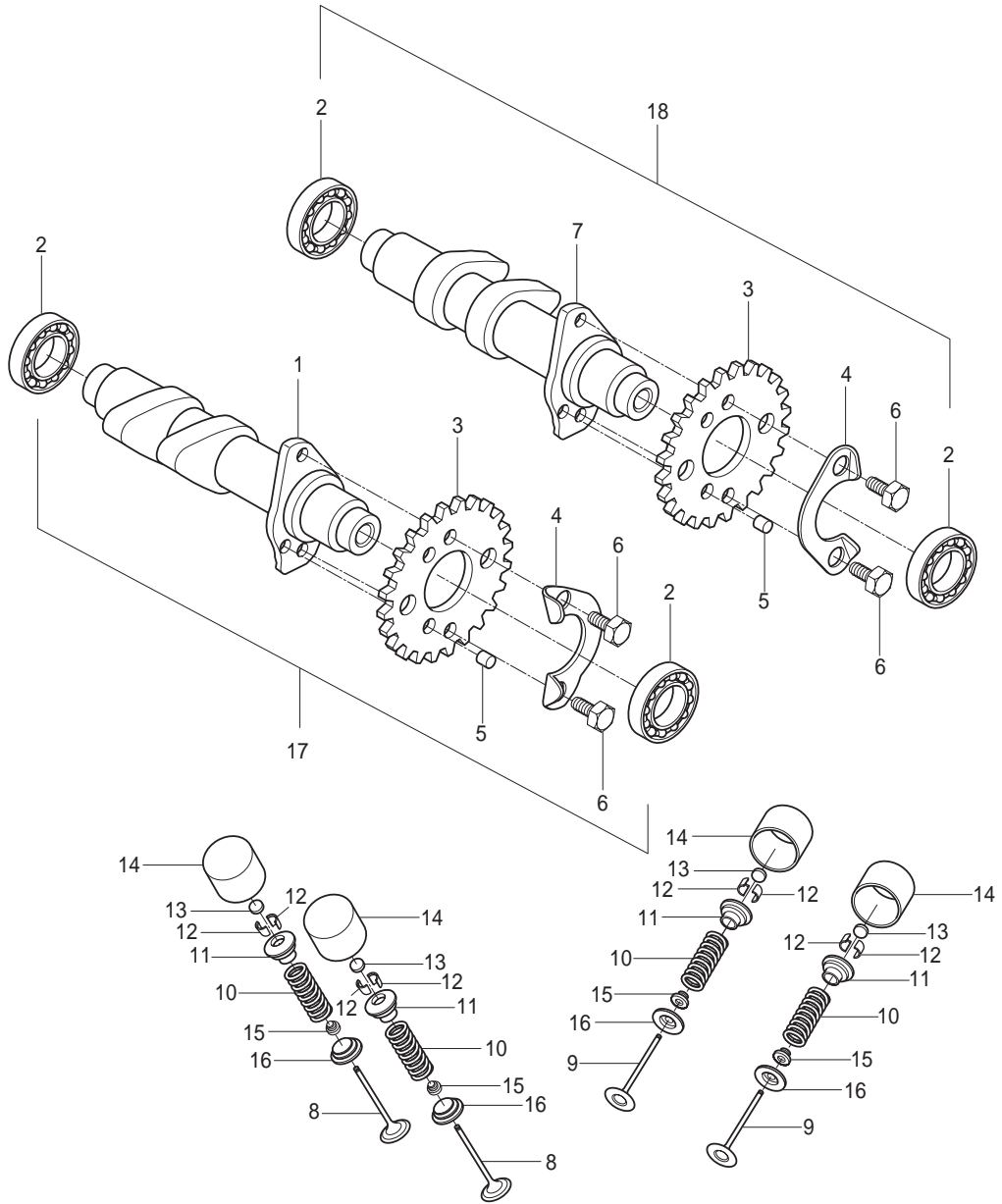


FIG 8-1. CAMSHAFT REAR

REF.					PARTS NAME	Q'TY	REMARKS	
NO.	SEU01	SF01	SG01	SS01				REC. Q'TY
1	12711HG5102888	12711HG5102888	12711HG5102888	12711HG5102888	CAMSHAFT, intake rear	1		
2	09262-17019	09262-17019	09262-17019	09262-17019	BEARING, camshaft rear(22.4X29.6X8)	4		40
3	12742HG5100	12742HG5100	12742HG5100	12742HG5100	SPROCKET, camshaft rear	2		4
4	12747-44B00	12747-44B00	12747-44B00	12747-44B00	WASHER, sprocket rear	2		8
5	09261-05005	09261-05005	09261-05005	09261-05005	PIN, sprocket rear	2		
6	09111-06032	09111-06032	09111-06032	09111-06032	BOLT, sprocket rear(M6X10)	4		
7	12731HG5102888	12731HG5102888	12731HG5102888	12731HG5102888	CAMSHAFT, exhaust rear	1		
8	12911HG5101	12911HG5101	12911HG5101	12911HG5101	VALVE, intake rear	2		
9	12912HG5101	12912HG5101	12912HG5101	12912HG5101	VALVE, exhaust rear	2		
10	12921HG5101	12921HG5101	12921HG5101	12921HG5101	SPRING, valve rear	4		
11	12931HG5100	12931HG5100	12931HG5100	12931HG5100	RETAINER, valve spring rear	4		
12	12932HG5100	12932HG5100	12932HG5100	12932HG5100	COTTER, valve rear	8		
13	12892-05C00170	12892-05C00170	12892-05C00170	12892-05C00170	SHIM, tappet rear	4		
14	12881H03000-001	12881H03000-001	12881H03000-001	12881H03000-001	TAPPET, rear	4		
15	09289H04003	09289H04003	09289H04003	09289H04003	SEAL, valve stem oil rear	4		
16	12933HG5100	12933HG5100	12933HG5100	12933HG5100	SEAT, valve spring rear	4		
17	12720HG5100HPA	12720HG5100HPA	12720HG5100HPA	12720HG5100HPA	CAMSHAFT ASS'Y, rear intake	1		2
18	12750HG5100HPA	12750HG5100HPA	12750HG5100HPA	12750HG5100HPA	CAMSHAFT ASS'Y, rear exhaust	1		2

FIG 8-2

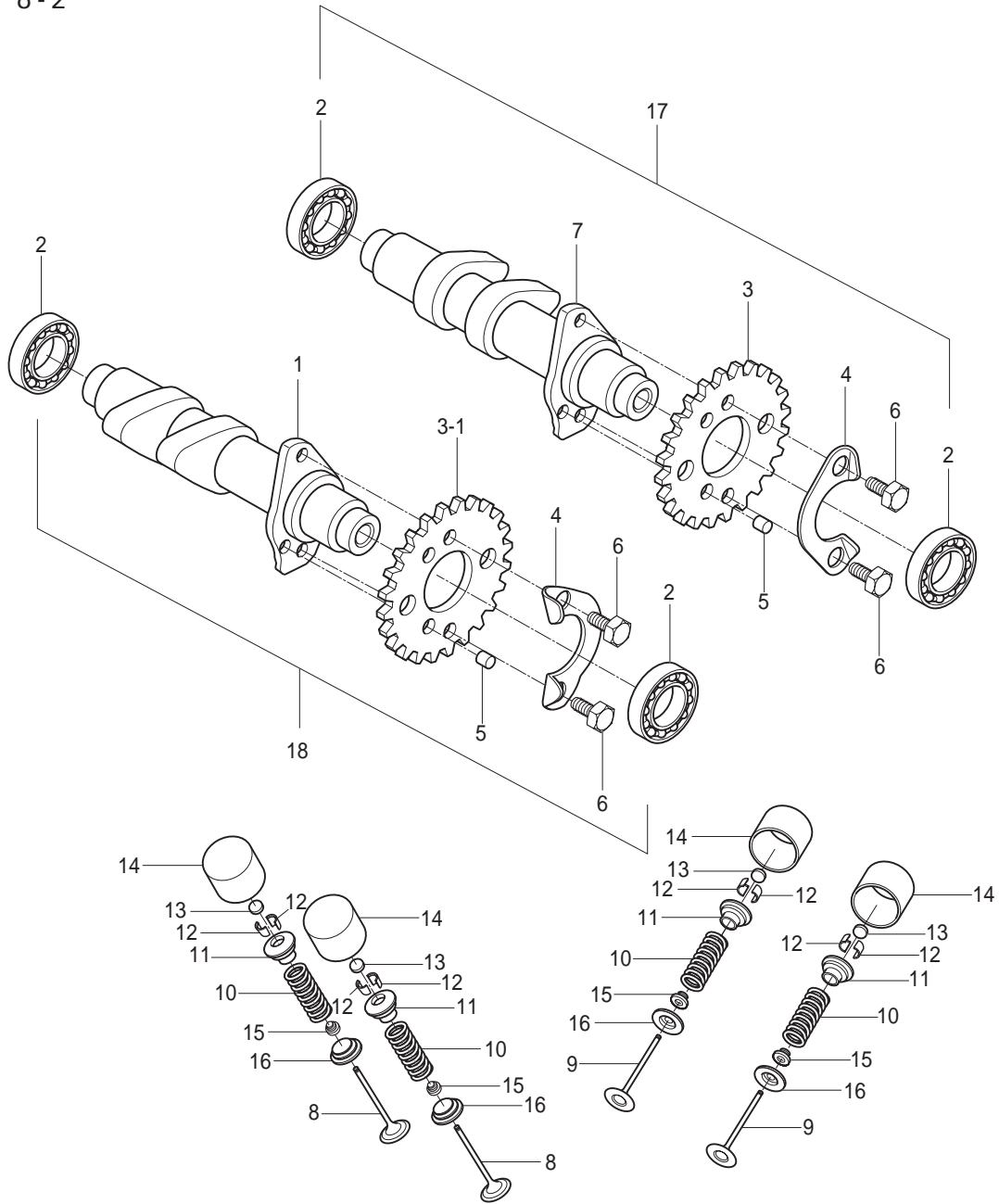


FIG 8-2. CAMSHAFT FRONT

REF.					PARTS NAME	Q'TY	REMARKS	
NO.	SEU01	SF01	SG01	SS01				REC. Q'TY
1	12711HG5102888	12711HG5102888	12711HG5102888	12711HG5102888	CAMSHAFT, intake front	1		
2	09262-17019	09262-17019	09262-17019	09262-17019	BEARING, camshaft front(22.4X29.6X8)	4		
3	12741HG5101	12741HG5101	12741HG5101	12741HG5101	SPROCKET, camshaft front	1		4
4	12742HG5100	12742HG5100	12742HG5100	12742HG5100	SPROCKET, camshaft front	1		
5	12747-44B00	12747-44B00	12747-44B00	12747-44B00	WASHER, sprocket front	2		
6	09261-05005	09261-05005	09261-05005	09261-05005	PIN, sprocket front	2		
7	09111-06032	09111-06032	09111-06032	09111-06032	BOLT, sprocket front(M6X10)	4		
8	12731HG5102888	12731HG5102888	12731HG5102888	12731HG5102888	CAMSHAFT, exhaust front	1		
9	12911HG5101	12911HG5101	12911HG5101	12911HG5101	VALVE, intake front	2		
10	12912HG5101	12912HG5101	12912HG5101	12912HG5101	VALVE, exhaust front	2		
11	12921HG5101	12921HG5101	12921HG5101	12921HG5101	SPRING, valve front	4		
12	12931HG5100	12931HG5100	12931HG5100	12931HG5100	RETAINER, valve spring front	4		
13	12932HG5100	12932HG5100	12932HG5100	12932HG5100	COTTER, valve front	8		
14	12892-05C00	12892-05C00	12892-05C00	12892-05C00	SHIM, tappet front	4		
15	12881H03000-001	12881H03000-001	12881H03000-001	12881H03000-001	TAPPET, front	4		
16	09289H04003	09289H04003	09289H04003	09289H04003	SEAL, valve stem oil front	4		
17	12933HG5100	12933HG5100	12933HG5100	12933HG5100	SEAT, valve spring front	4		
18	12710HG5100HPA	12710HG5100HPA	12710HG5100HPA	12710HG5100HPA	CAMSHAFT ASS'Y, front intake	1		2
19	12730HG5100HPA	12730HG5100HPA	12730HG5100HPA	12730HG5100HPA	CAMSHAFT ASS'Y, front exhaust	1		2

FIG 9

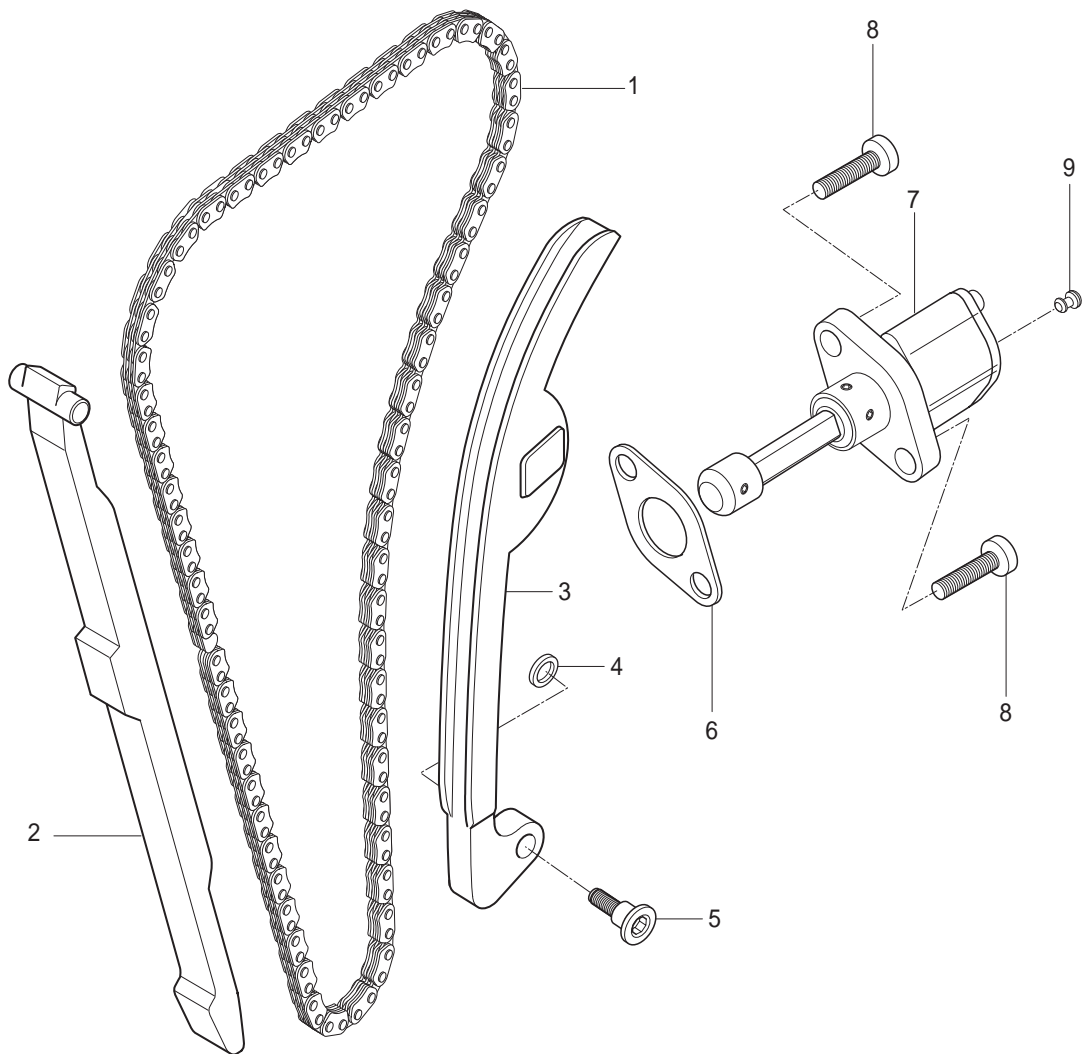


FIG 9. CAM CHAIN

REF.					PARTS NAME	Q`TY	REMARKS	
NO.	SEU01	SF01	SG01	SS01				REC. Q`TY
1	12760HG5100	12760HG5100	12760HG5100	12760HG5100	CHAIN COMP, camshaft drive	2		6
2	12771HG5100	12771HG5100	12771HG5100	12771HG5100	GUIDE, camchain NO.1	2		10
3	12811HG5101	12811HG5101	12811HG5101	12811HG5101	TENSIONER, camchain	2		10
4	08211-06181	08211-06181	08211-06181	08211-06181	WASHER, camchain tensioner bolt	2		10
5	12812H35C00	12812H35C00	12812H35C00	12812H35C00	BOLT, camchain tensioner(M6×23)	2		10
6	12837H31321	12837H31321	12837H31321	12837H31321	GASKET, tensioner adjuster	2		10
7	12830H31320	12830H31320	12830H31320	12830H31320	ADJUSTER ASS`Y, tensioner	2		4
8	07110-06208	07110-06208	07110-06208	07110-06208	BOLT, tensioner adjuster(M6×23)	4		
9	12839-38200	12839-38200	12839-38200	12839-38200	PLUG, adjuster	2		

FIG 10

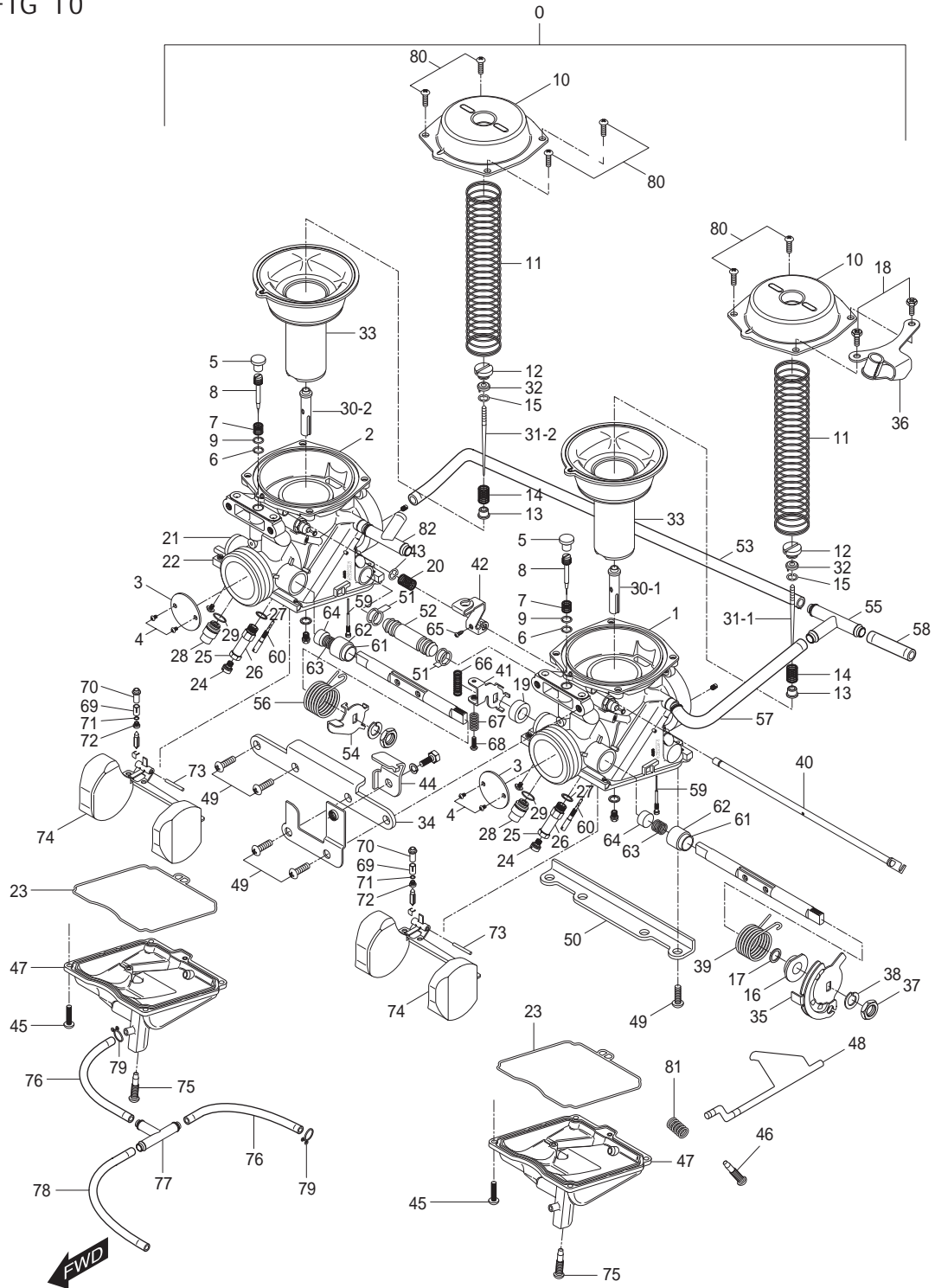


FIG 10. CARBURETOR ASS'Y

REF.					PARTS NAME	Q'TY	REMARKS	
NO.	SEU01	SF01	SG01	SS01				REC. Q'TY
0	13200HM7901	13200HM7901	13200HM7901	13200HM7901	CARBURETOR ASS'Y	1		3
1	13301HG5100	13301HG5100	13301HG5100	13301HG5100	MIXING BODY ASS'Y	1		
2	13302HG5100	13302HG5100	13302HG5100	13302HG5100	MIXING BODY ASS'Y	1		
3	13303HG5100	13303HG5100	13303HG5100	13303HG5100	THROTTLE VALVE	2		
4	13304HG5100	13304HG5100	13304HG5100	13304HG5100	SCREW	4		
5	13305HG5100	13305HG5100	13305HG5100	13305HG5100	PLUG	2		
6	13306HG5100	13306HG5100	13306HG5100	13306HG5100	O-RING	2		
7	13307HG5100	13307HG5100	13307HG5100	13307HG5100	SPRING(CO)	2		
8	13308HG5100	13308HG5100	13308HG5100	13308HG5100	ADJUSTER	2		
9	13309HG5100	13309HG5100	13309HG5100	13309HG5100	WASHER	2		
10	13310HG5100	13310HG5100	13310HG5100	13310HG5100	DIAPHRAGM COVER	2		
11	13311HG5100	13311HG5100	13311HG5100	13311HG5100	SPRING(CO)	2		
12	13312HG5100	13312HG5100	13312HG5100	13312HG5100	SCREW	2		
13	13313HG5100	13313HG5100	13313HG5100	13313HG5100	RING	2		
14	13314HG5100	13314HG5100	13314HG5100	13314HG5100	SPRING(CO)	2		
15	13315HG5100	13315HG5100	13315HG5100	13315HG5100	E-RING	2		
16	13316HG5100	13316HG5100	13316HG5100	13316HG5100	RING	1		
17	13317HG5100	13317HG5100	13317HG5100	13317HG5100	SEAL	1		
18	13318HG5100	13318HG5100	13318HG5100	13318HG5100	BOLT	2		
19	13319HG5100	13319HG5100	13319HG5100	13319HG5100	RING	1		
20	13320HG5100	13320HG5100	13320HG5100	13320HG5100	SPRING(CO)	1		
21	13321HG5100	13321HG5100	13321HG5100	13321HG5100	PACKING	1		
22	13322HG5100	13322HG5100	13322HG5100	13322HG5100	SHAFT ASS'Y	1		
23	13323HG5100	13323HG5100	13323HG5100	13323HG5100	O-RING	2		
24-1	13324HM8100	13324HM8100	13324HM8100	13324HM8100	MAIN JET	1		
24-2	13325HM8100	13325HM8100	13325HM8100	13325HM8100	MAIN JET	1		
25	13326HG5100	13326HG5100	13326HG5100	13326HG5100	PACKING	2		
26	13327HG5100	13327HG5100	13327HG5100	13327HG5100	HOLDER	2		
27	13328HG5100	13328HG5100	13328HG5100	13328HG5100	WASHER	2		

FIG 10

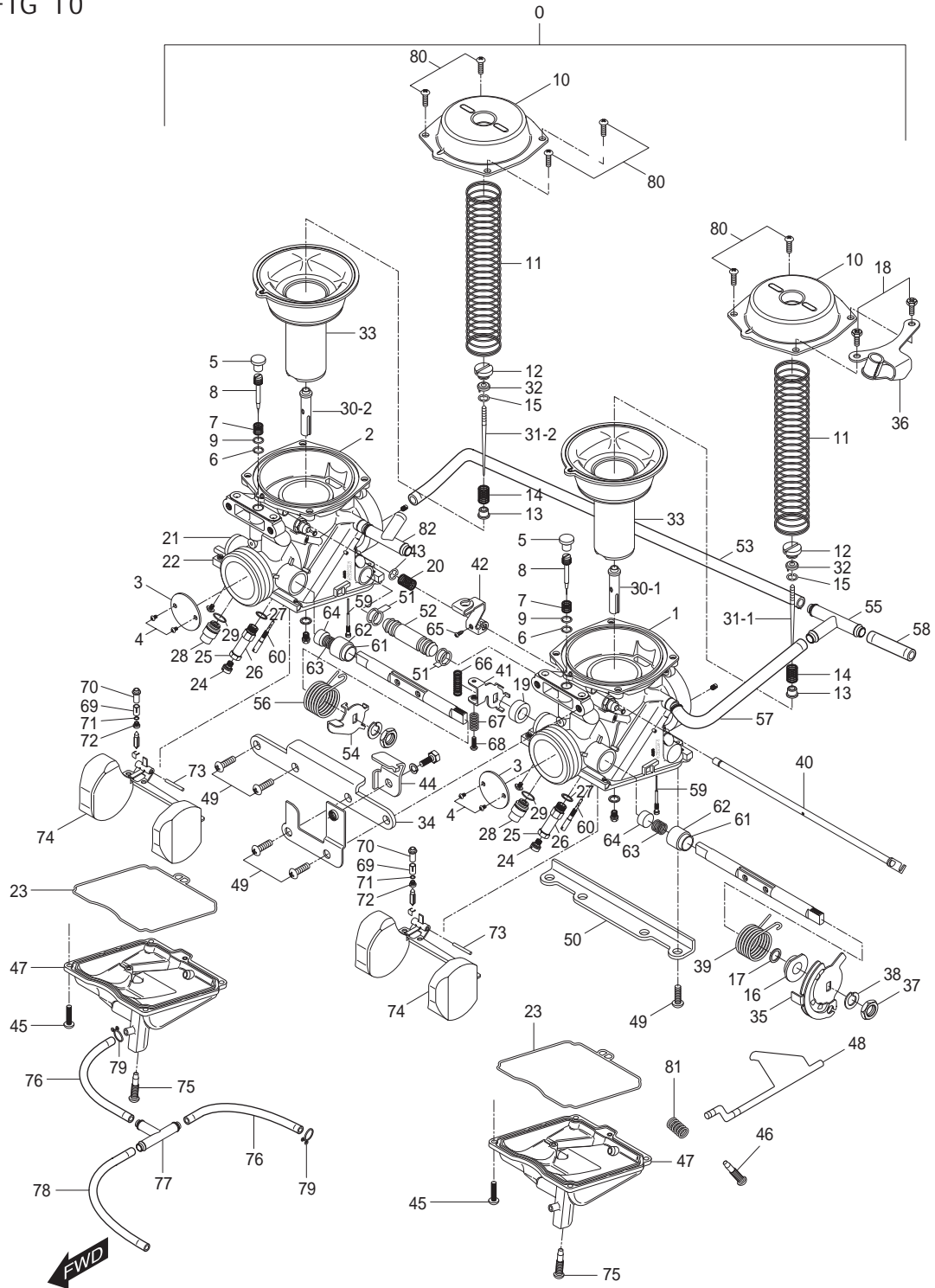


FIG 10. CARBURETOR ASS'Y

REF.					PARTS NAME	Q'TY	REMARKS
NO.	SEU01	SF01	SG01	SS01			REC. Q'TY
28	13329HG5100	13329HG5100	13329HG5100	13329HG5100	SCREW	2	
29	13330HG5100	13330HG5100	13330HG5100	13330HG5100	WASHER	2	
30-1	13331HM8100	13331HM8100	13331HM8100	13331HM8100	NEEDLE(JET AB)(NJ)	1	
30-2	13332HM8100	13332HM8100	13332HM8100	13332HM8100	NEEDLE(JET AB)(NJ)	1	
31-1	13333HM8100	13333HM8100	13333HM8100	13333HM8100	JET NEEDLE(JN)	1	
31-2	13334HM8100	13334HM8100	13334HM8100	13334HM8100	JET NEEDLE(JN)	1	
32	13337HG5100	13337HG5100	13337HG5100	13337HG5100	RING	2	
33	13338HG5100	13338HG5100	13338HG5100	13338HG5100	DIAPHRAGM ASS'Y	2	
34	13339HG5100	13339HG5100	13339HG5100	13339HG5100	PLATE	1	
35	13340HG5100	13340HG5100	13340HG5100	13340HG5100	LEVER ASS'Y	1	
36	13341HG5100	13341HG5100	13341HG5100	13341HG5100	BRACKET ASS'Y	1	
37	13342HG5100	13342HG5100	13342HG5100	13342HG5100	NUT	1	
38	13343HG5100	13343HG5100	13343HG5100	13343HG5100	WASHER	1	
39	13344HG5100	13344HG5100	13344HG5100	13344HG5100	SPRING(CO)	1	
40	13345HG5100	13345HG5100	13345HG5100	13345HG5100	SHAFT ASS'Y	1	
41	13346HG5100	13346HG5100	13346HG5100	13346HG5100	THROTTLE SHAFT ASS'Y	1	
42	13347HG5100	13347HG5100	13347HG5100	13347HG5100	STARTER LEVER	1	
43	13348HG5100	13348HG5100	13348HG5100	13348HG5100	E-RING	1	
44	13349HG5100	13349HG5100	13349HG5100	13349HG5100	BRACKET ASS'Y	1	
45	13350HG5100	13350HG5100	13350HG5100	13350HG5100	SCREW	8	
46	13388HM8100	13388HM8100	13388HM8100	13388HM8100	SCREW	1	NOT SALE
47	13352HG5100	13352HG5100	13352HG5100	13352HG5100	FLOAT BODY ASS'Y	2	
48	13353HG5100	13353HG5100	13353HG5100	13353HG5100	BRACKET	1	
49	13354HG5100	13354HG5100	13354HG5100	13354HG5100	SCREW	8	
50	13355HG5100	13355HG5100	13355HG5100	13355HG5100	PLATE	1	
51	13356HG5100	13356HG5100	13356HG5100	13356HG5100	O-RING	4	
52	13357HG5100	13357HG5100	13357HG5100	13357HG5100	NIPPLE	1	
53	13358HM8100	13358HM8100	13358HM8100	13358HM8100	HOSE	1	
54	13359HG5100	13359HG5100	13359HG5100	13359HG5100	THROTTLE LEVER	1	

FIG 10

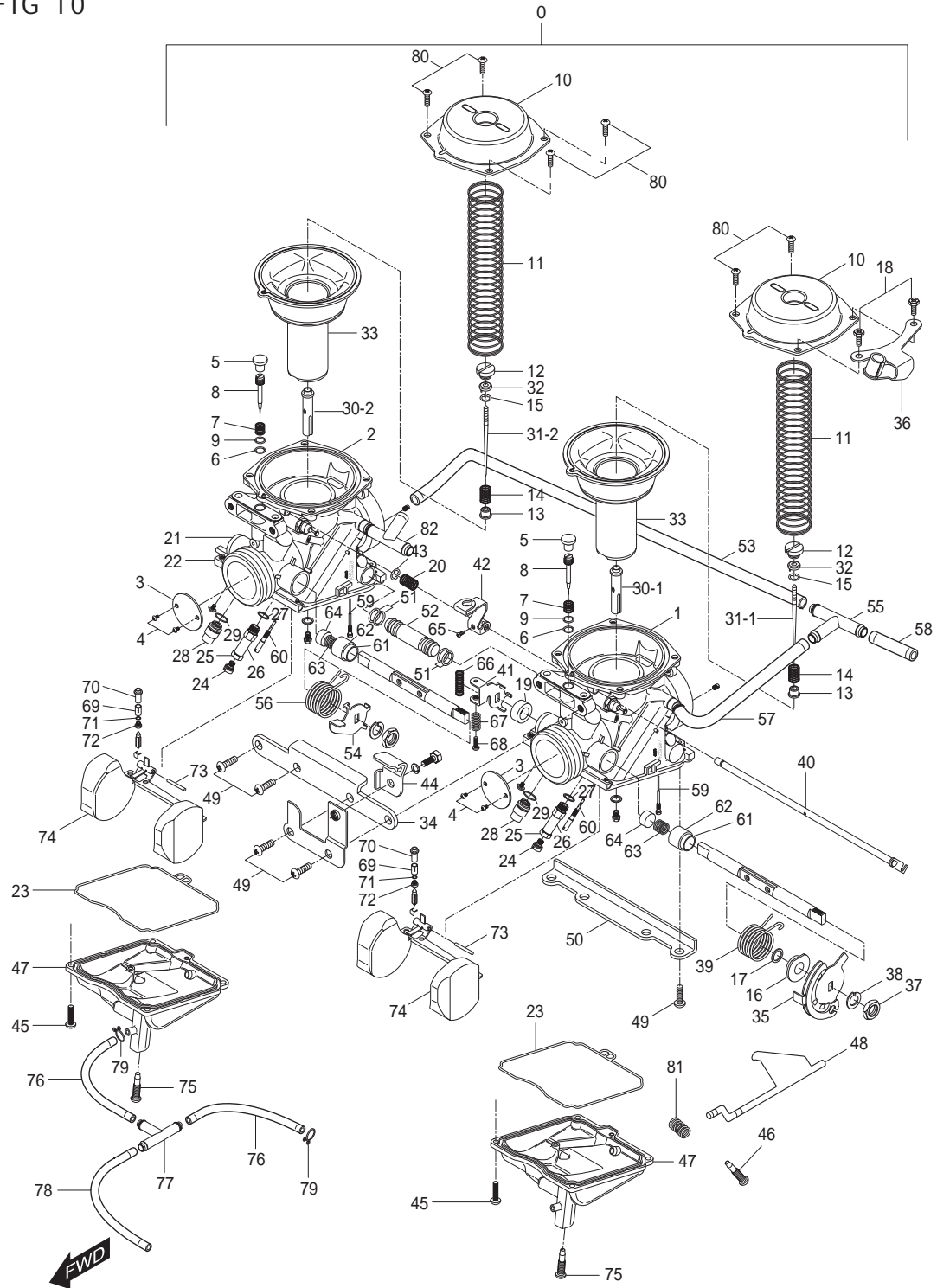


FIG 10. CARBURETOR ASS'Y

REF.					PARTS NAME	Q'TY	REMARKS	
NO.	SEU01	SF01	SG01	SS01				REC. Q'TY
55	13360HM8100	13360HM8100	13360HM8100	13360HM8100	NIPPLE	1		
56	13361HG5100	13361HG5100	13361HG5100	13361HG5100	SPRING(CO)	1		
57	13362HM8100	13362HM8100	13362HM8100	13362HM8100	HOSE	1		
58	13363HM8100	13363HM8100	13363HM8100	13363HM8100	HOSE	1		
59	13364HM8100	13364HM8100	13364HM8100	13364HM8100	JET(PAJ)	2		
60	13365HM8100	13365HM8100	13365HM8100	13365HM8100	JET(PJ)	2		
61	13366HG5100	13366HG5100	13366HG5100	13366HG5100	CAP	2		
62	13367HG5100	13367HG5100	13367HG5100	13367HG5100	GUIDE HOLDER	2		
63	13368HG5100	13368HG5100	13368HG5100	13368HG5100	SPRING(CO)	2		
64	13369HG5100	13369HG5100	13369HG5100	13369HG5100	PLUNGER ASS'Y	2		
65	13370HG5100	13370HG5100	13370HG5100	13370HG5100	SCREW	1		
66	13371HG5100	13371HG5100	13371HG5100	13371HG5100	SPRING(CO)	1		
67	13372HG5100	13372HG5100	13372HG5100	13372HG5100	SPRING(CO)	1		
68	13373HG5100	13373HG5100	13373HG5100	13373HG5100	SCREW	1		
69	13374HG5100	13374HG5100	13374HG5100	13374HG5100	FILTER	2		
70	13375HG5100	13375HG5100	13375HG5100	13375HG5100	NEEDLE VALVE ASS'Y(VS)	2		
71	13376HG5100	13376HG5100	13376HG5100	13376HG5100	O-RING	2		
72	13377HG5100	13377HG5100	13377HG5100	13377HG5100	SCREW	2		
73	13378HG5100	13378HG5100	13378HG5100	13378HG5100	PIN	2		
74	13379HG5100	13379HG5100	13379HG5100	13379HG5100	FLOAT ASS'Y	2		
75	13380HG5100	13380HG5100	13380HG5100	13380HG5100	SCREW	2		
76	13381HG5100	13381HG5100	13381HG5100	13381HG5100	HOSE	2		
77	13382HG5100	13382HG5100	13382HG5100	13382HG5100	NIPPLE	1		
78	13383HG5100	13383HG5100	13383HG5100	13383HG5100	HOSE	1		
79	13384HG5100	13384HG5100	13384HG5100	13384HG5100	CLIP	2		
80	13385HG5100	13385HG5100	13385HG5100	13385HG5100	SCREW	6		
81	13386HG5100	13386HG5100	13386HG5100	13386HG5100	SPRING(CO)	1		
82	13387HM8100	13387HM8100	13387HM8100	13387HM8100	NIPPLE	1		

FIG 11

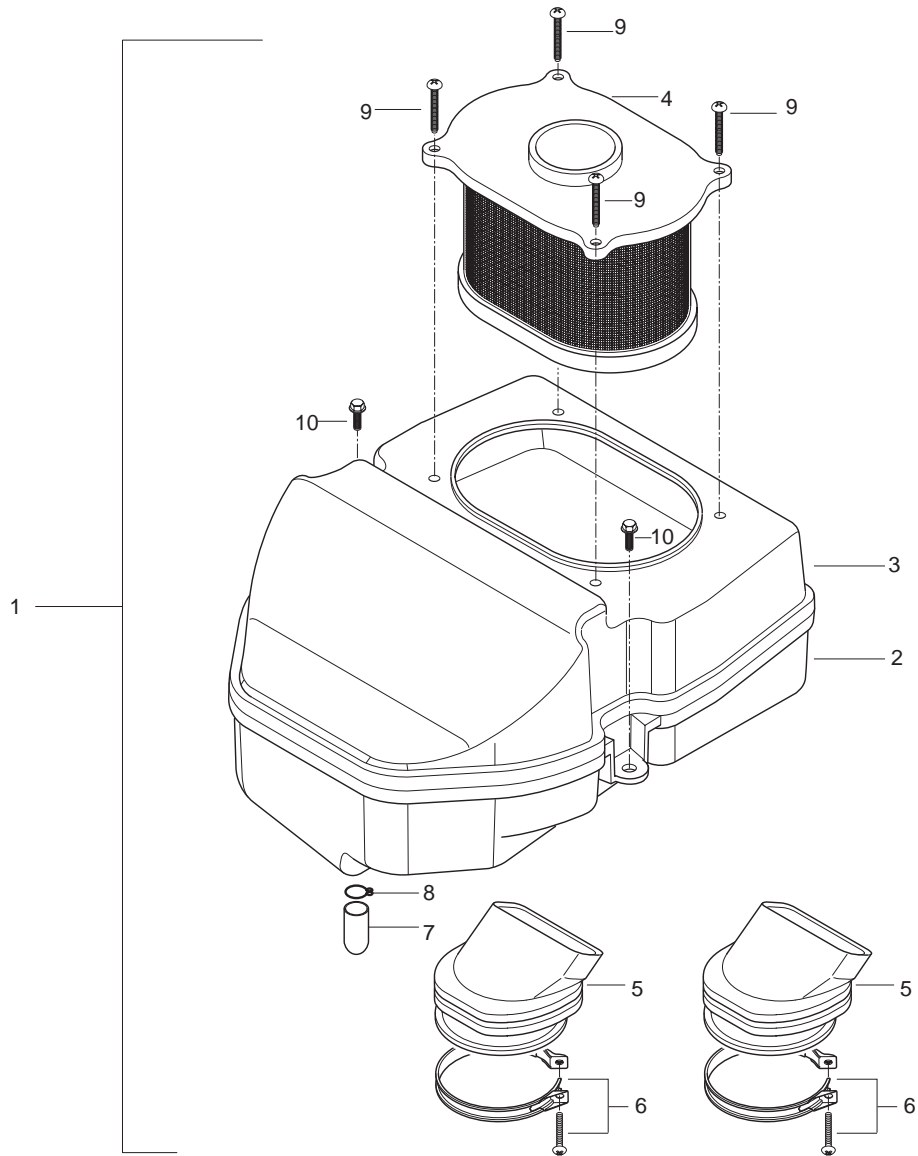


FIG 11. AIR CLEANER&CHAMBER

REF.					PARTS NAME	Q`TY	REMARKS	
NO.	SEU01	SF01	SG01	SS01				REC. Q`TY
1	13700HR6501	13700HR6501	13700HR6501	13700HR6501	CLEANER ASS`Y, air	1		5
2	13721HM7900	13721HM7900	13721HM7900	13721HM7900	CASE, air cleaner	1	NOT SALE	
3	13740HM8101	13740HM8101	13740HM8101	13740HM8101	CAP COMP, air cleaner	1	NOT SALE	
4	13780HR8600HAS	13780HR8600HAS	13780HR8600HAS	13780HR8600HAS	FILTER COMP, air cleaner	1		10
5	13881HL7300	13881HL7300	13881HL7300	13881HL7300	TUBE, outlet	2	NOT SALE	
6	09402-56208	09402-56208	09402-56208	09402-56208	CLAMP, outlet tube	2	NOT SALE	
7	13895HF4500	13895HF4500	13895HF4500	13895HF4500	PLUG, oil drain	1	NOT SALE	
8	09401-14301	09401-14301	09401-14301	09401-14301	CLIP , oil drain plug	1	NOT SALE	
9	02142-05165	02142-05165	02142-05165	02142-05165	SCREW, air cleaner filter(M5×16)	4	NOT SALE	
10	02142-16125	02142-16125	02142-16125	02142-16125	SCREW, air cleaner(M6×12)	2	NOT SALE	

FIG 12

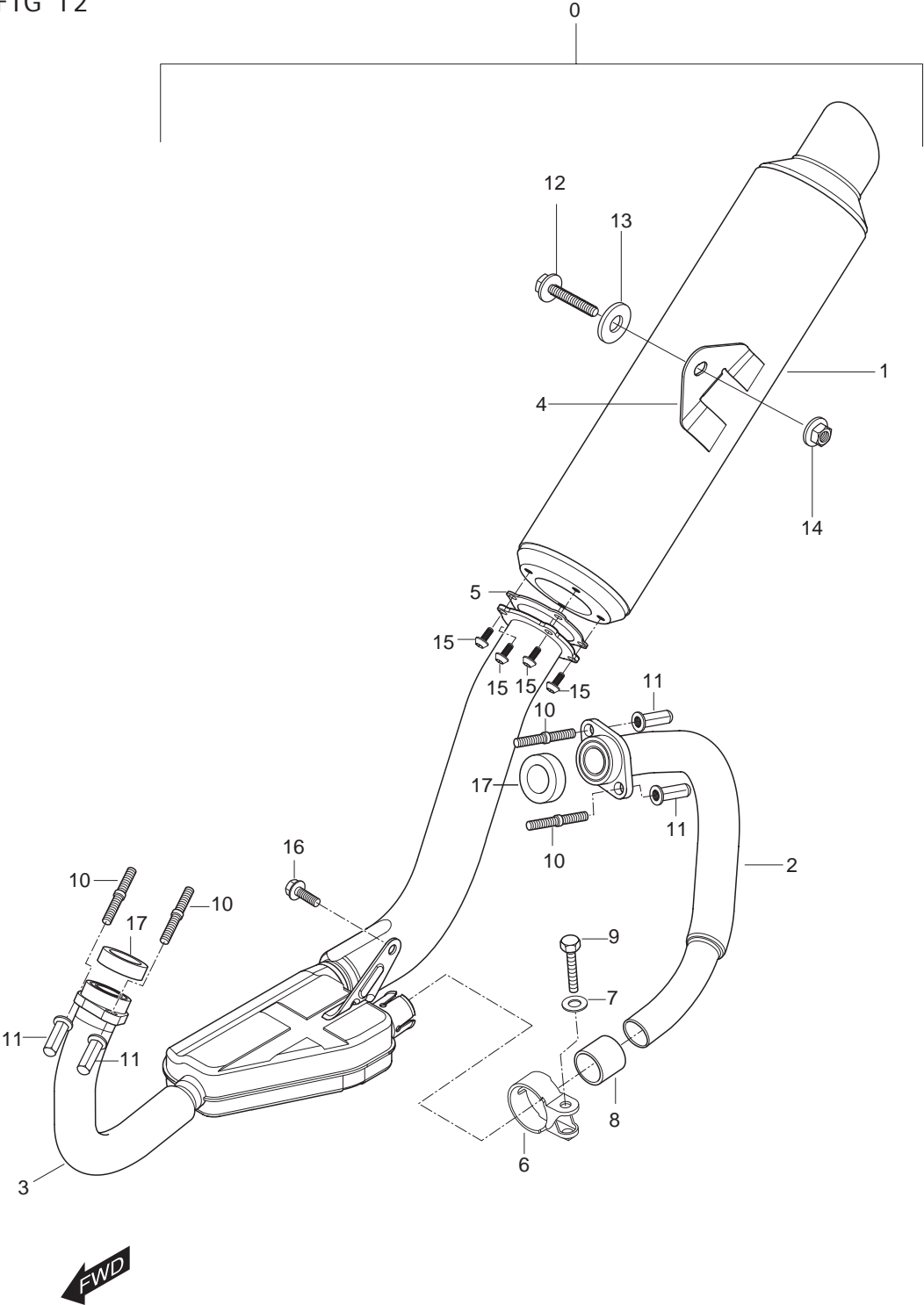


FIG 12. MUFFLER

REF.					PARTS NAME	Q`TY	REMARKS	
NO.	SEU01	SF01	SG01	SS01				REC. Q`TY
0	14305HS6500PAH	14305HS6500PAH	14305HS6500PAH	14305HS6500PAH	MUFFLER, ASS`Y	1		7
1	14310HS6500OBF	14310HS6500OBF	14310HS6500OBF	14310HS6500OBF	BODY COMP, muffler front	1		
2	14160HM7901PAM	14160HM7901PAM	14160HM7901PAM	14160HM7901PAM	PIPE COMP, exhaust rear	1		5
3	14150HM7902PAM	14150HM7902PAM	14150HM7902PAM	14150HM7902PAM	PIPE COMP, exhaust front	1		5
4	14411HM8100	14411HM8100	14411HM8100	14411HM8100	BRACKET, muffler support	1	NOT SALE	
5	14314HM8100	14314HM8100	14314HM8100	14314HM8100	GASKET, connector flange	1		
6	14770HG5101PAM	14770HG5101PAM	14770HG5101PAM	14770HG5101PAM	CONNECTOR COMP, exhaust pipe	1		5
7	09160-10001	09160-10001	09160-10001	09160-10001	WASHER, exhaust pipe connector	1		
8	14773HG5100	14773HG5100	14773HG5100	14773HG5100	GASKET, connector exhaust pipe	1		5
9	01137-08358	01137-08358	01137-08358	01137-08358	BOLT, connector exhaust pipe(M8×35)	1		10
10	01421-08258	01421-08258	01421-08258	01421-08258	STUD BOLT, exhaust pipe(M8×35)	4		
11	09143H08001	09143H08001	09143H08001	09143H08001	NUT, exhaust pipe(M8)	4		
12	07110-10358	07110-10358	07110-10358	07110-10358	BOLT, muffler support	1		
13	09160-10102	09160-10102	09160-10102	09160-10102	WASHER, muffler support	1		
14	08316-26108	08316-26108	08316-26108	08316-26108	NUT, muffler support rear	1		
15	09119H06002	09119H06002	09119H06002	09119H06002	BOLT, connector flange	4		12
16	01137-08168	01137-08168	01137-08168	01137-08168	BOLT, muffler chamber bracket(M8× 16)	1		
17	14181-46E00	14181-46E00	14181-46E00	14181-46E00	GASKET, exhaust pipe	2		20

FIG 13

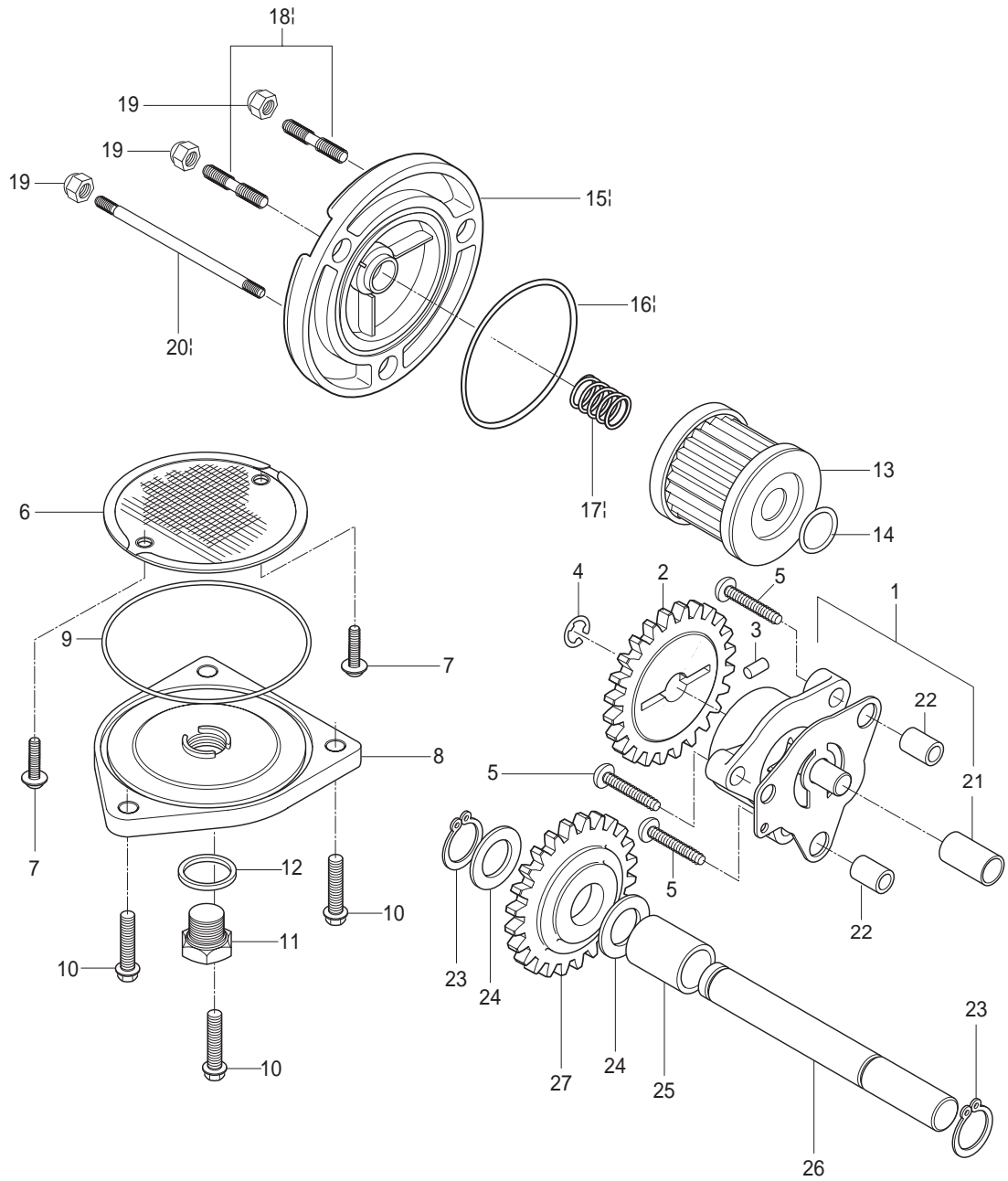


FIG 13. OIL PUMP

REF.					PARTS NAME	Q`TY	REMARKS	
NO.	SEU01	SF01	SG01	SS01				REC. Q'TY
1	16400HG5102	16400HG5102	16400HG5102	16400HG5102	PUMP ASS`Y, oil	1		2
2	16331HG5102	16331HG5102	16331HG5102	16331HG5102	GEAR, oil pump driven	1		
3	09261-02001	09261-02001	09261-02001	09261-02001	PIN, oil pump driven gear	1		
4	08332-11069	08332-11069	08332-11069	08332-11069	CIRCLIP, oil pump driven gear	1		
5	02112-06258	02112-06258	02112-06258	02112-06258	SCREW, oil pump(M6×25)	3		
6	16520-05202	16520-05202	16520-05202	16520-05202	STRAINER COMP, engine oil	1		
7	02112-95126	02112-95126	02112-95126	02112-95126	SCREW, engine oil strainer(M5×12)	2		
8	16523-05200	16523-05200	16523-05200	16523-05200	CAP, oil strainer	1		5
9	09280-60005	09280-60005	09280-60005	09280-60005	O-RING, strainer cap(60.5×2.4)	1		
10	01547-06208	01547-06208	01547-06208	01547-06208	BOLT, oil strainer cap(M6× 20)	3		
11	09247-14019	09247-14019	09247-14019	09247-14019	PLUG, oil drain	1		5
12	09168H14003	09168H14003	09168H14003	09168H14003	GASKET, drain plug	1		
13	16510-05240HAS	16510-05240HAS	16510-05240HAS	16510-05240HAS	FILTER COMP, engine oil	1		20
14	09280-13004	09280-13004	09280-13004	09280-13004	O-RING, oil filter(13.5×1.5)	1		
15	16512HG510003S	16512HG510003S	16512HG510003S	16512HG510003S	CAP, oil filter	1		
16	09280-54001	09280-54001	09280-54001	09280-54001	O-RING, oil filter cap(25.7×3.5)	1		
17	09440-18002	09440-18002	09440-18002	09440-18002	SPRING, oil filter cap	1		
18	01421-06128	01421-06128	01421-06128	01421-06128	BOLT, oil filter cap stud(M6× 12)	2		
19	08313-11068	08313-11068	08313-11068	08313-11068	NUT, oil filter cap(M6)	3		
20	01421-06658	01421-06658	01421-06658	01421-06658	BOLT, oil filter cap stud(M6× 65)	1		
21	16419HG5100	16419HG5100	16419HG5100	16419HG5100	BUSH,oil pump	1		
22	09206-08001	09206-08001	09206-08001	09206-08001	PIN, oil pump knock	2		
23	08331-31109	08331-31109	08331-31109	08331-31109	CIRCLELIP	2		
24	08211-10181	08211-10181	08211-10181	08211-10181	WASHER	2		
25	09180H10022	09180H10022	09180H10022	09180H10022	SPACER	1		
26	16451HG5101	16451HG5101	16451HG5101	16451HG5101	SHAFT, oil pump idle gear	1		
27	16431HG5104	16431HG5104	16431HG5104	16431HG5104	GEAR, oil pump idle	1		

FIG 14

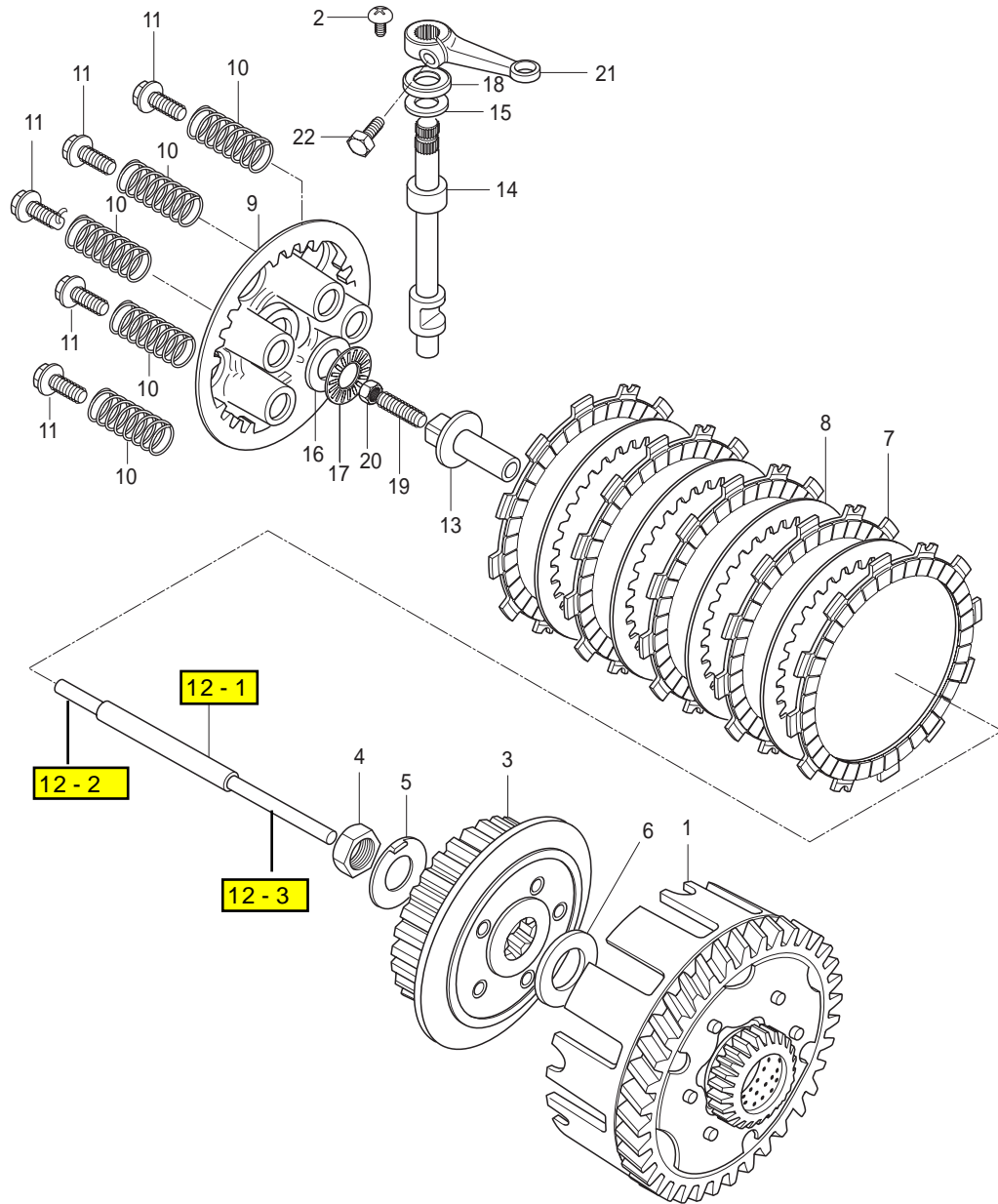


FIG 14. CLUTCH ASS`Y

REF.					PARTS NAME	Q`TY	REMARKS	
NO.	SEU01	SF01	SG01	SS01				REC. Q`TY
1	21200HG5100HPA	21200HG5100HPA	21200HG5100HPA	21200HG5100HPA	GEAR COMP, primary driven	1		
2	02142-06108	02142-06108	02142-06108	02142-06108	STOPPER, clutch release camshaft oil	1		
3	21411-05200	21411-05200	21411-05200	21411-05200	HUB, clutch sleeve	1		
4	09160-16014	09160-16014	09160-16014	09160-16014	NUT, clutch sleeve hub(M6)	1		
5	09169-16003	09169-16003	09169-16003	09169-16003	WASHER, clutch sleeve hub	1		
6	08211-20352	08211-20352	08211-20352	08211-20352	THRUST WASHER, clutch sleeve hub	1		
7	21441-13A01	21441-13A01	21441-13A01	21441-13A01	PLATE, clutch drive	6		25
8	21451-28000	21451-28000	21451-28000	21451-28000	PLATE, clutch driven	5		20
9	21462-14102	21462-14102	21462-14102	21462-14102	DISK, clutch pressure	1		
10	09440-15014	09440-15014	09440-15014	09440-15014	SPRING, clutch	5		
11	09116-05003	09116-05003	09116-05003	09116-05003	BOLT, clutch spring	5		
12-1	23110HJ8202	23110HJ8202	23110HJ8202	23110HJ8202	ROD COMP, clutch push	1		
12-2	23115HN9100	23115HN9100	23115HN9100	23115HN9100	ROD, Clutch push NO2	1		
12-3	23113HJ8200	23113HJ8200	23113HJ8200	23113HJ8200	ROD, Clutch push R	1		
13	23121-05200	23121-05200	23121-05200	23121-05200	PIECE, clutch push	1		
14	23122HG5100	23122HG5100	23122HG5100	23122HG5100	CAM SHAFT, clutch release	1		
15	08211-10201	08211-10201	08211-10201	08211-10201	THRUST WASHER, clutch release camshaft	1		
16	09160-15015	09160-15015	09160-15015	09160-15015	THRUST WASHER, clutch release	1		
17	09263H15001	09263H15001	09263H15001	09263H15001	THRUST BEARING, clutch release	1		
18	09282-10007	09282-10007	09282-10007	09282-10007	OIL SEAL, clutch release camshaft(10x20x6	1		
19	09134-06010	09134-06010	09134-06010	09134-06010	SCREW, clutch release adjuster(M6×1)	1		
20	08310-22068	08310-22068	08310-22068	08310-22068	NUT, clutch release adjust(M6)	1		
21	23271HJ8250	23271HJ8250	23271HJ8250	23271HJ8250	ARM, clutch release	1		
22	01107-06168	01107-06168	01107-06168	01107-06168	BOLT, clutch release arm(M6×16)	1		

FIG 15

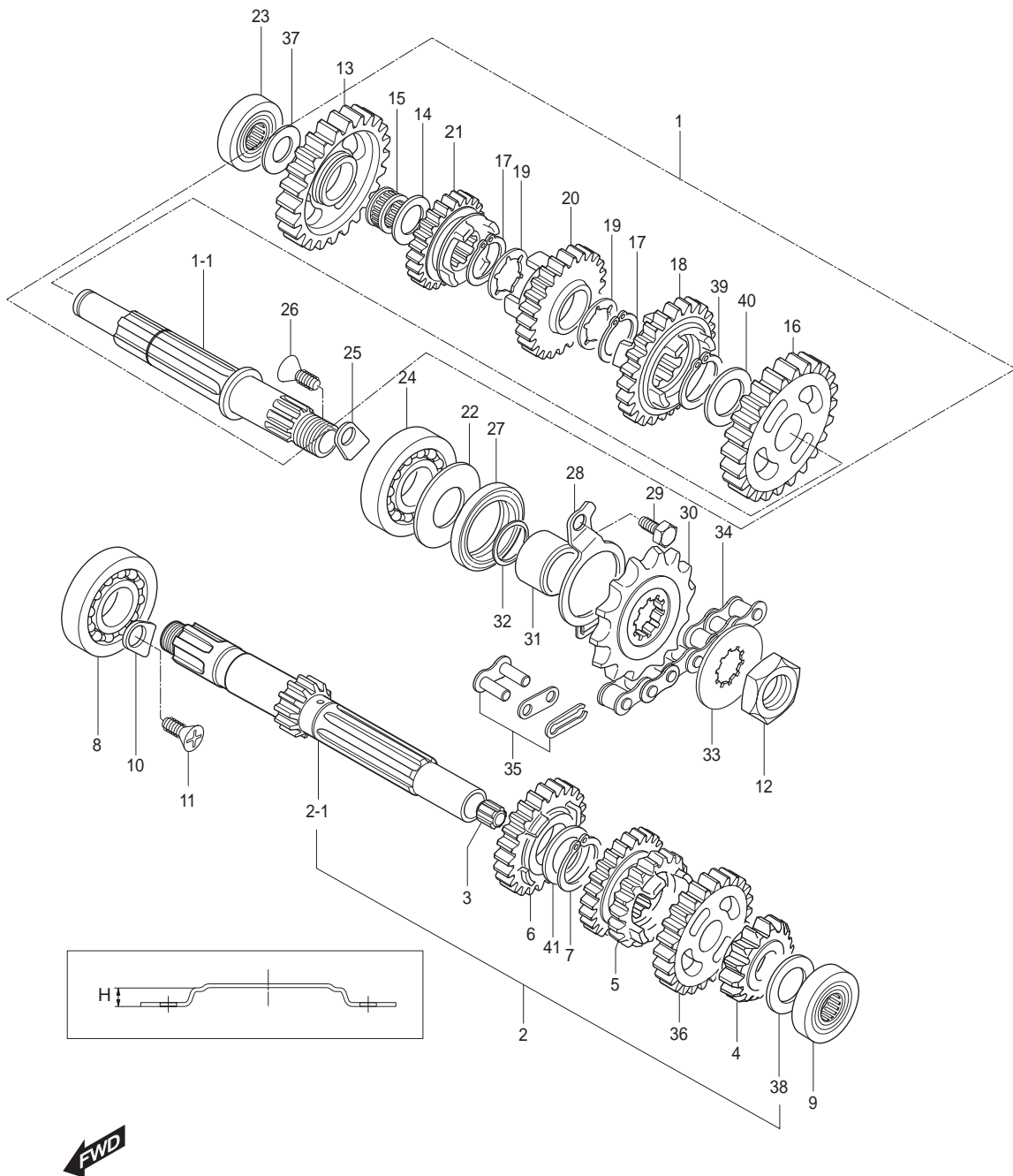


FIG 15. TRANSMISSION

REF.					PARTS NAME	Q'TY	REMARKS	
NO.	SEU01	SF01	SG01	SS01				REC. Q'TY
1	24130HM7900HPA	24130HM7900HPA	24130HM7900HPA	24130HM7900HPA	DRIVE SHAFT ASS'Y	1		
1-1	24130HM7901	24130HM7901	24130HM7901	24130HM7901	SHAFT, drive	1		3
2	24120HM7900HPA	24120HM7900HPA	24120HM7900HPA	24120HM7900HPA	SHAFT COMP, counter	1		
2-1	24121HM7901	24121HM7901	24121HM7901	24121HM7901	SHAFT, counter	1		3
3	24125-38201	24125-38201	24125-38201	24125-38201	BUSH, counter shaft	1		
4	24221-29B00	24221-29B00	24221-29B00	24221-29B00	GEAR, 2nd drive	1		3
5	24231HG5100	24231HG5100	24231HG5100	24231HG5100	GEAR, 4th drive	1		3
6	24251-05202	24251-05202	24251-05202	24251-05202	GEAR, 5th drive	1		3
7	09380-20009	09380-20009	09380-20009	09380-20009	CIRCLIP, 5th drive gear	1		40
8	08110-63040	08110-63040	08110-63040	08110-63040	BEARING, counter shaft R	1		5
9	09263H15019	09263H15019	09263H15019	09263H15019	BEARING, counter shaft L	1		5
10	24741HG5100	24741HG5100	24741HG5100	24741HG5100	RETAINER, counter shaft bearing	1		10
11	02122-06128	02122-06128	02122-06128	02122-06128	SCREW, counter shaft bearing retainer	1		60
12	09140-16017	09140-16017	09140-16017	09140-16017	NUT, engine sprocket(M21)	1		5
13	24311-29B00	24311-29B00	24311-29B00	24311-29B00	GEAR, 1st driven	1		3
14	08211-15251	08211-15251	08211-15251	08211-15251	THRUST WASHER, 1st driven gear L	1		10
15	09263H15002	09263H15002	09263H15002	09263H15002	BEARING, 1st driven gear	2		5
16	24320-29B00	24320-29B00	24320-29B00	24320-29B00	GEAR COMP, 2nd driven	1		3
17	09380-20009	09380-20009	09380-20009	09380-20009	CIRCLIP, 4th driven gear	2		
18	24331HG5100	24331HG5100	24331HG5100	24331HG5100	GEAR, 3rd driven	1		3
19	09167-20011	09167-20011	09167-20011	09167-20011	THRUST WASHER, 4th driven gear	1		8
20	24341HG5100	24341HG5100	24341HG5100	24341HG5100	GEAR, 4th driven	1		3
21	24351-05201	24351-05201	24351-05201	24351-05201	GEAR, 5th driven	1		3
22	09160H20011	09160H20011	09160H20011	09160H20011	WASHER, oil sealing	1		5
23	09263H15015	09263H15015	09263H15015	09263H15015	BEARING, drive shaft R	1		
24	09262H22016	09262H22016	09262H22016	09262H22016	BEARING, drive shaft L(22×56×16)	1		5

FIG 15

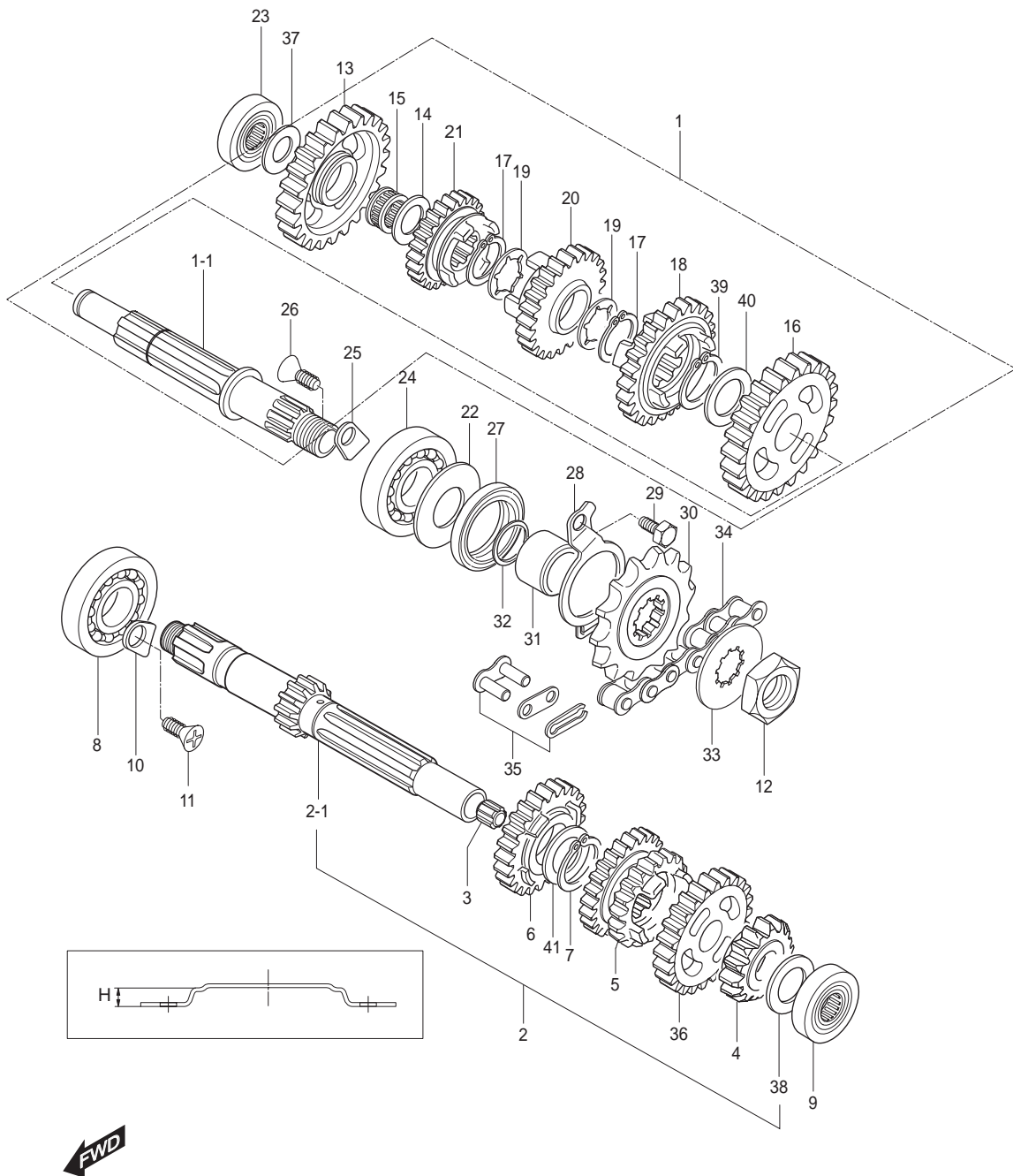


FIG 15. TRANSMISSION

REF.					PARTS NAME	Q'TY	REMARKS	
NO.	SEU01	SF01	SG01	SS01				REC. Q'TY
25	24741HG5100	24741HG5100	24741HG5100	24741HG5100	RETAINER, drive shaft bearing	1		
26	02122-06128	02122-06128	02122-06128	02122-06128	SCREW, drive shaft bearing retainer(M6×12,	1		
27	09283-27010	09283-27010	09283-27010	09283-27010	OIL SEAL, drive shaft(40×6)	1		5
28	24751HG5102	24751HG5102	24751HG5102	24751HG5102	RETAINER, drive shaft oil seal	1		5
29	01107-06106	01107-06106	01107-06106	01107-06106	BOLT, drive shaft oil seal retainer(M6×10)	2		
30	27510H41732	27510H41732	27510H41732	27510H41732	SPROCKET COMP, engine 14T	1		3
31	27531HJ8201	27531HJ8201	27531HJ8201	27531HJ8201	SPACER, engine sprocket	1		
32	09280-19005	09280-19005	09280-19005	09280-19005	O-RING, engine sprocket(29×2.4)	1		
33	09167-20006	09167-20006	09167-20006	09167-20006	LOCK WASHER, engine sprocket	1		
34	27600HM7900	27600HM7900	27600HM7900	27600HM7900	CHAIN ASS'Y, drive 136 Link	1		10
35	27620H93B00	27620H93B00	27620H93B00	27620H93B00	JOINT, chain	1	NOT SALE	
36	24231HG5100	24231HG5100	24231HG5100	24231HG5100	GEAR COMP, 3rd drive	1		3
37	09180H15029	09180H15029	09180H15029	09180H15029	SPACER, drv shaft R	1		
38	09180H15031	09180H15031	09180H15031	09180H15031	SPACER, count shaft L	1		
39	09380-20009	09380-20009	09380-20009	09380-20009	CILCLIP, 2nd driven gear	1		
40	08211-22281	08211-22281	08211-22281	08211-22281	WASHER, 2nd driven gear	1	NOT SALE	
41	08211-22281	08211-22281	08211-22281	08211-22281	WASHER, 5th drive gear thrust	1	NOT SALE	

FIG 16

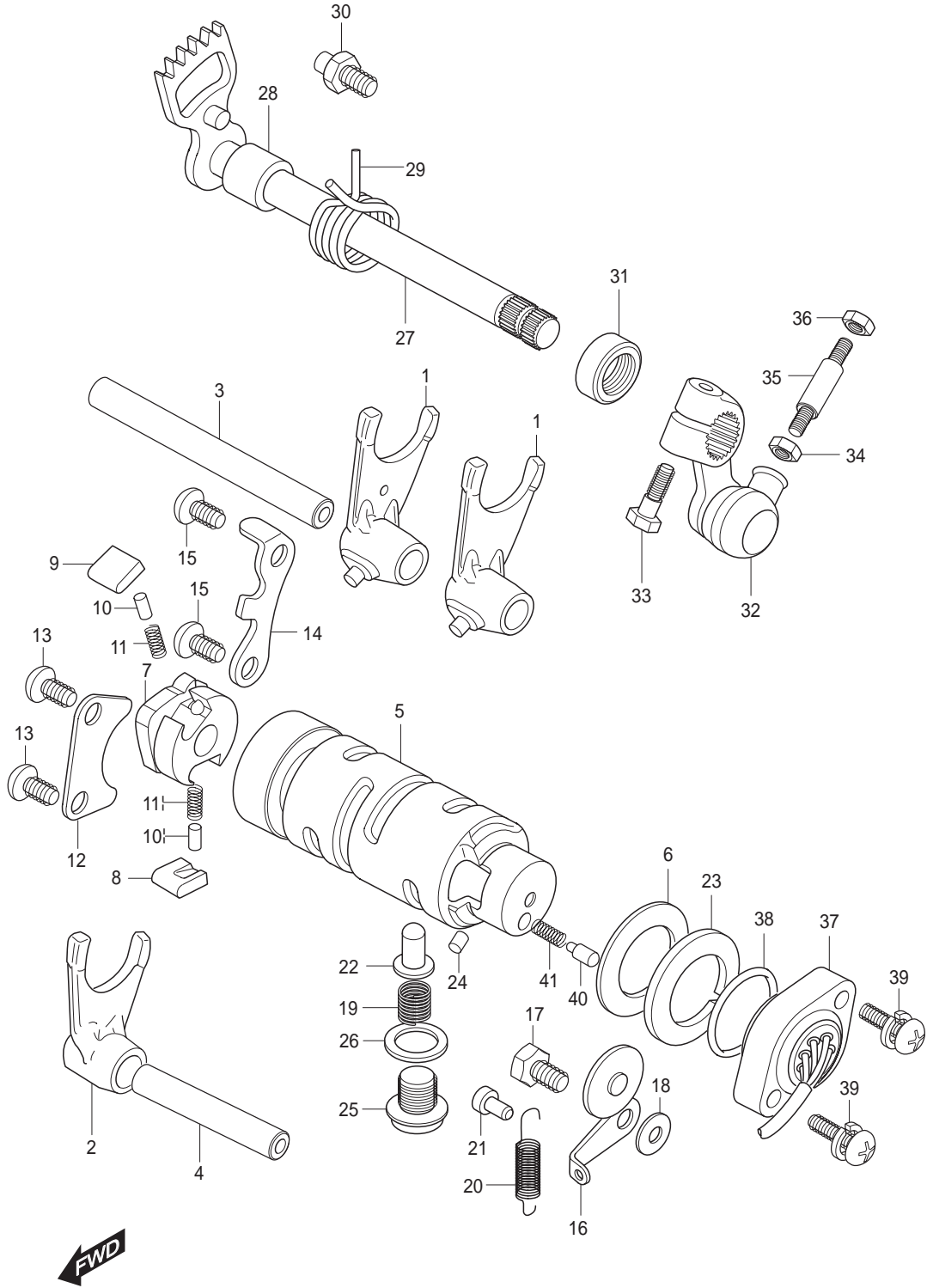


FIG 16. GEAR SHIFTING

REF.					PARTS NAME	Q'TY	REMARKS	
NO.	SEU01	SF01	SG01	SS01				REC. Q'TY
1	25211-05200	25211-05200	25211-05200	25211-05200	FORK, gear shift No.1	2		6
2	25231-05201	25231-05201	25231-05201	25231-05201	FORK, gear shift No.3	1		3
3	25411-05201	25411-05201	25411-05201	25411-05201	SHAFT, gear shift fork No.1	1		3
4	25421-35403	25421-35403	25421-35403	25421-35403	SHAFT, gear shift fork No.2	1		3
5	25310HG5100	25310HG5100	25310HG5100	25310HG5100	CAM COMP, gear shift	1		3
6	08211-25401	08211-25401	08211-25401	08211-25401	WASHER, gear shift cam	1		
7	25322-31301	25322-31301	25322-31301	25322-31301	GEAR, gear shift cam driven	1		
8	25323-34201	25323-34201	25323-34201	25323-34201	PAWL, gear shift No.1	1		
9	25324-34201	25324-34201	25324-34201	25324-34201	PAWL, gear shift No.2	1		
10	09261-05003	09261-05003	09261-05003	09261-05003	PIN, gear shift pawl click	2		
11	09440-04003	09440-04003	09440-04003	09440-04003	SPRING, gear shift pawl return	2		
12	25331-30000	25331-30000	25331-30000	25331-30000	LIFTER, gear shift pawl	1		
13	02122-06128	02122-06128	02122-06128	02122-06128	SCREW, gear shift pawl(M6×12)	2		
14	25341HG5100	25341HG5100	25341HG5100	25341HG5100	GUIDE, gear shift cam	1		
15	02122-06128	02122-06128	02122-06128	02122-06128	SCREW, gear shift pawl lifter(M6×12)	2		
16	25350HG5100	25350HG5100	25350HG5100	25350HG5100	STOPPER COMP, gear shift cam	1		
17	09111-06019	09111-06019	09111-06019	09111-06019	BOLT, gear shift cam stopper(M10×14.6)	1		
18	08211-06141	08211-06141	08211-06141	08211-06141	WASHER, gear shift cam stopper	1		
19	09440H11020	09440H11020	09440H11020	09440H11020	SPRING, gear shift cam stopper	1		
20	09443H08044	09443H08044	09443H08044	09443H08044	SPRING, gear shift cam stopper arm	1		
21	09223-04001	09223-04001	09223-04001	09223-04001	HOOK, gear shift shaft spring	1		
22	25351-30010	25351-30010	25351-30010	25351-30010	STOPPER, gear shift cam neutral	1		
23	25381-45400	25381-45400	25381-45400	25381-45400	PLATE, gear shift cam stopper	1		
24	04221-04069	04221-04069	04221-04069	04221-04069	PIN, gear shift cam stopper plate	1		
25	09247-14026	09247-14026	09247-14026	09247-14026	PLUG, gear shift cam stopper	1		5
26	09168H14003	09168H14003	09168H14003	09168H14003	WASHER, gear shift cam stopper plug	1		
27	25510HG5101	25510HG5101	25510HG5101	25510HG5101	SHAFT COMP, gear shift	1		5
28	09180-12068	09180-12068	09180-12068	09180-12068	SPACER, gear shift shaft	1		
29	09444-26013	09444-26013	09444-26013	09444-26013	SPRING, gear shift shaft return	1		

FIG 16

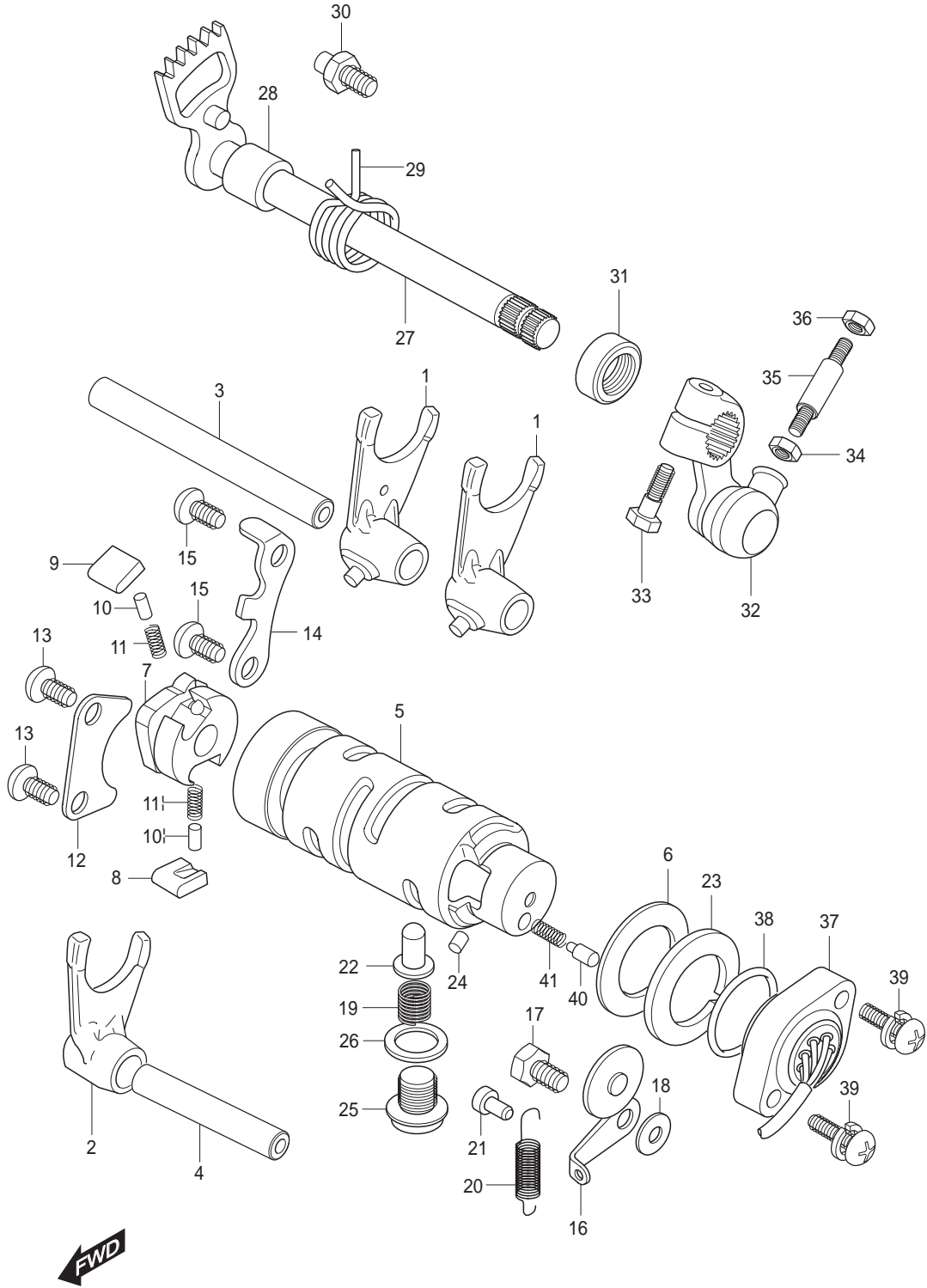


FIG 16. GEAR SHIFTING

REF.					PARTS NAME	Q'TY	REMARKS	
NO.	SEU01	SF01	SG01	SS01				REC. Q'TY
30	25671-01000	25671-01000	25671-01000	25671-01000	STOPPER, gear shift arm	1		
31	09285-12002	09285-12002	09285-12002	09285-12002	OIL SEAL, gear shift shaft(22×9)	1		
32	25520-32C00	25520-32C00	25520-32C00	25520-32C00	ARM COMP, gear shift link	1		
33	01107-06208	01107-06208	01107-06208	01107-06208	BOLT, gear shift link arm(M6× 20)	1		
34	08310-11068	08310-11068	08310-11068	08310-11068	NUT, gear shift link rod R(M6)	1		
35	25525HM8101	25525HM8101	25525HM8101	25525HM8101	ROD, gear shift link	1		
36	09140-06011	09140-06011	09140-06011	09140-06011	NUT, gear shift link rod L(M6)	1		
37	37720HG5151	37720HG5151	37720HG5151	37720HG5151	SWITCH ASS`Y, neutral	1		7
38	09280-26003	09280-26003	09280-26003	09280-26003	O-RING, gear shift switch(26.2×2.4)	1		
39	02112-95208	02112-95208	02112-95208	02112-95208	SCREW, gear shift switch(M5×20)	2		
40	09209-05011	09209-05011	09209-05011	09209-05011	CONTACT, gear shift switch	1		
41	09440-04010	09440-04010	09440-04010	09440-04010	SPRING, gear shift switch contact	1		

FIG 17

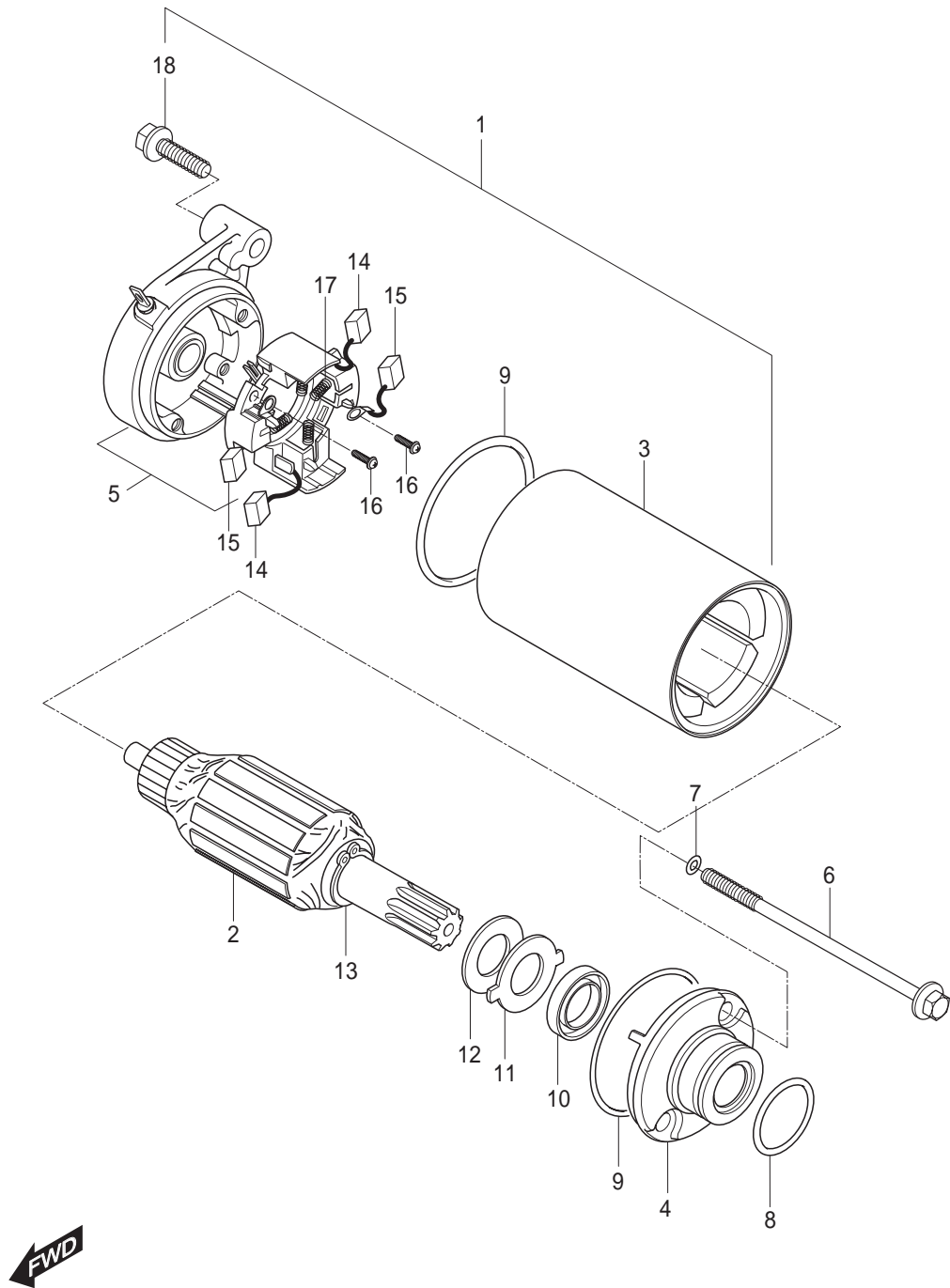


FIG 17. STARTING MOTOR

REF.					PARTS NAME	Q'TY	REMARKS	
NO.	SEU01	SF01	SG01	SS01				REC. Q'TY
1	31100HG5100	31100HG5100	31100HG5100	31100HG5100	MOTOR ASS`Y, starting	1		3
2	31310-11D00	31310-11D00	31310-11D00	31310-11D00	ARMATURE ASS`Y, starter	1		
3	31110HD6300	31110HD6300	31110HD6300	31110HD6300	YOKE ASS`Y, starter	1		
4	31150-42A01	31150-42A01	31150-42A01	31150-42A01	HOUSING ASS`Y, starter	1		
5	31175HG5100	31175HG5100	31175HG5100	31175HG5100	FRAME ASS`Y, commutator	1	NOT SALE	
6	31281-32C10	31281-32C10	31281-32C10	31281-32C10	BOLT, through	2		
7	31156-38300	31156-38300	31156-38300	31156-38300	O-RING	2		
8	09280-24001	09280-24001	09280-24001	09280-24001	O-RING	1		
9	31264-35C10	31264-35C10	31264-35C10	31264-35C10	O-RING	2		
10	31153-49210	31153-49210	31153-49210	31153-49210	SEAL, oil	1		
11	31361-32C00	31361-32C00	31361-32C00	31361-32C00	PLATE, lock	1		
12	31361-38300	31361-38300	31361-38300	31361-38300	WASHER, plate lock	1		
13	31361-10200	31361-10200	31361-10200	31361-10200	RING, shaft snap	1		
14	31132-32C10	31132-32C10	31132-32C10	31132-32C10	BRUSH SUB-ASS`Y, starter	2		
15	31131-32C20	31131-32C20	31131-32C20	31131-32C20	BRUSH, starter	2		
16	31114-32C10	31114-32C10	31114-32C10	31114-32C10	SCREW	2		
17	31135-32C10	31135-32C10	31135-32C10	31135-32C10	SPRING, compression coil	4		
18	01547-06308	01547-06308	01547-06308	01547-06308	BOLT, starting motor(M6×30)	2		

FIG 18

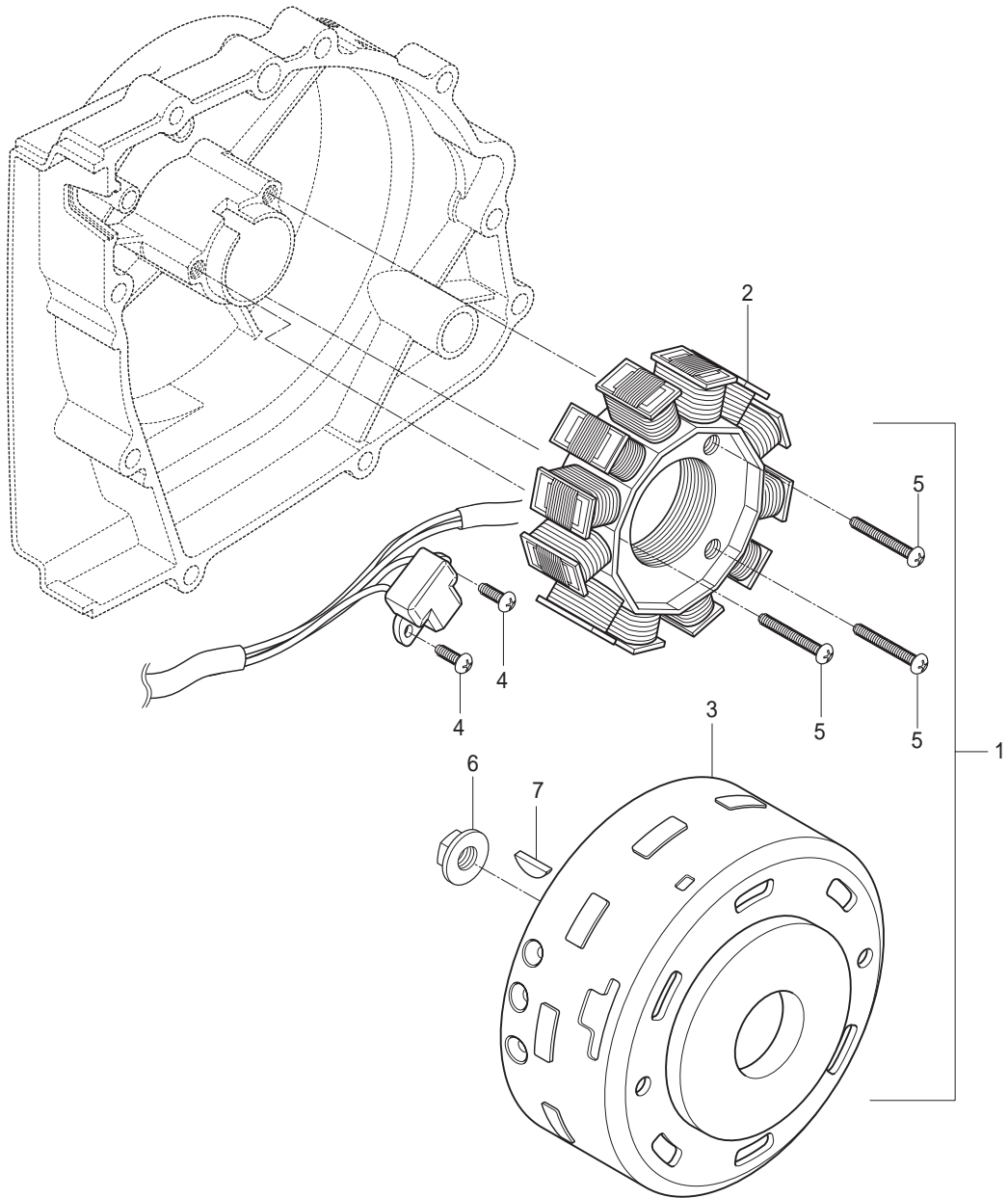


FIG 18. MAGNETO ASS'Y

REF.					PARTS NAME	Q'TY	REMARKS	
NO.	SEU01	SF01	SG01	SS01				REC. Q'TY
1	32100HG5101	32100HG5101	32100HG5101	32100HG5101	MAGNETO ASS'Y	1		5
2	32101HG5100	32101HG5100	32101HG5100	32101HG5100	STATOR ASS'Y	1		
3	32102HG5100	32102HG5100	32102HG5100	32102HG5100	ROTOR, fly wheel	1		
4	02112-05128	02112-05128	02112-05128	02112-05128	SCREW, pick-up coil(M5X12)	2		
5	02112-05258	02112-05258	02112-05258	02112-05258	SCREW, magneto stato(M5X25)	3		
6	08316-26128	08316-26128	08316-26128	08316-26128	NUT, magneto fly wheel(M12)	1		
7	08341-31039	08341-31039	08341-31039	08341-31039	KEY, magneto	1		

FIG 19

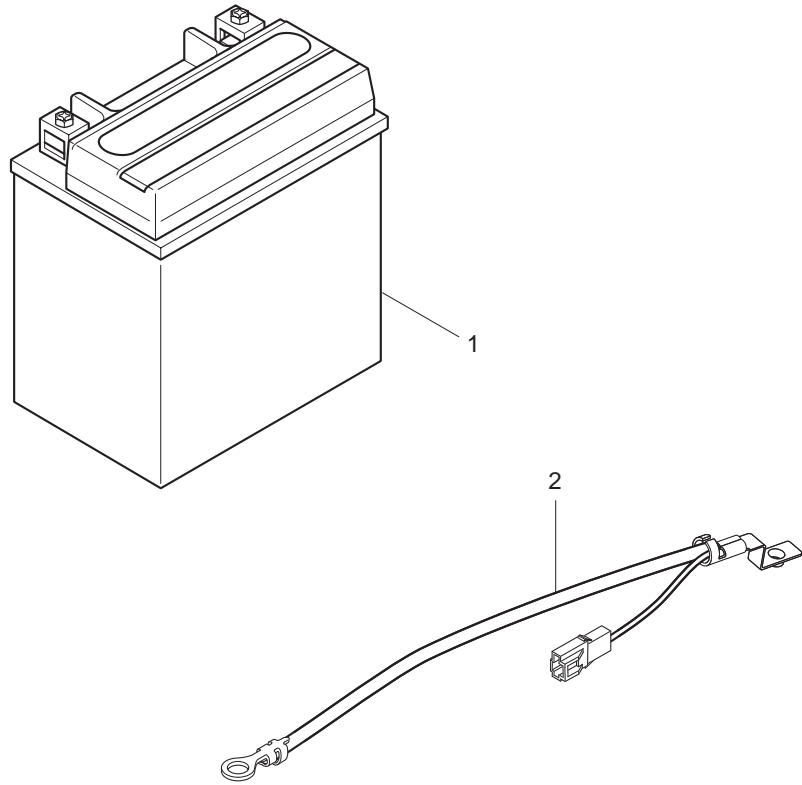


FIG 19. BATTERY

REF.					PARTS NAME	Q'TY	REMARKS	
NO.	SEU01	SF01	SG01	SS01				REC. Q'TY
1	33610HM8100	33610HM8100	33610HM8100	33610HM8100	BATTERY ASS'Y(12V 12Ah. STX14-BS)	1		
2	33860HM8101	33860HM8101	33860HM8101	33860HM8101	LEAD WIRE, battery minus(-)	1		

FIG 20

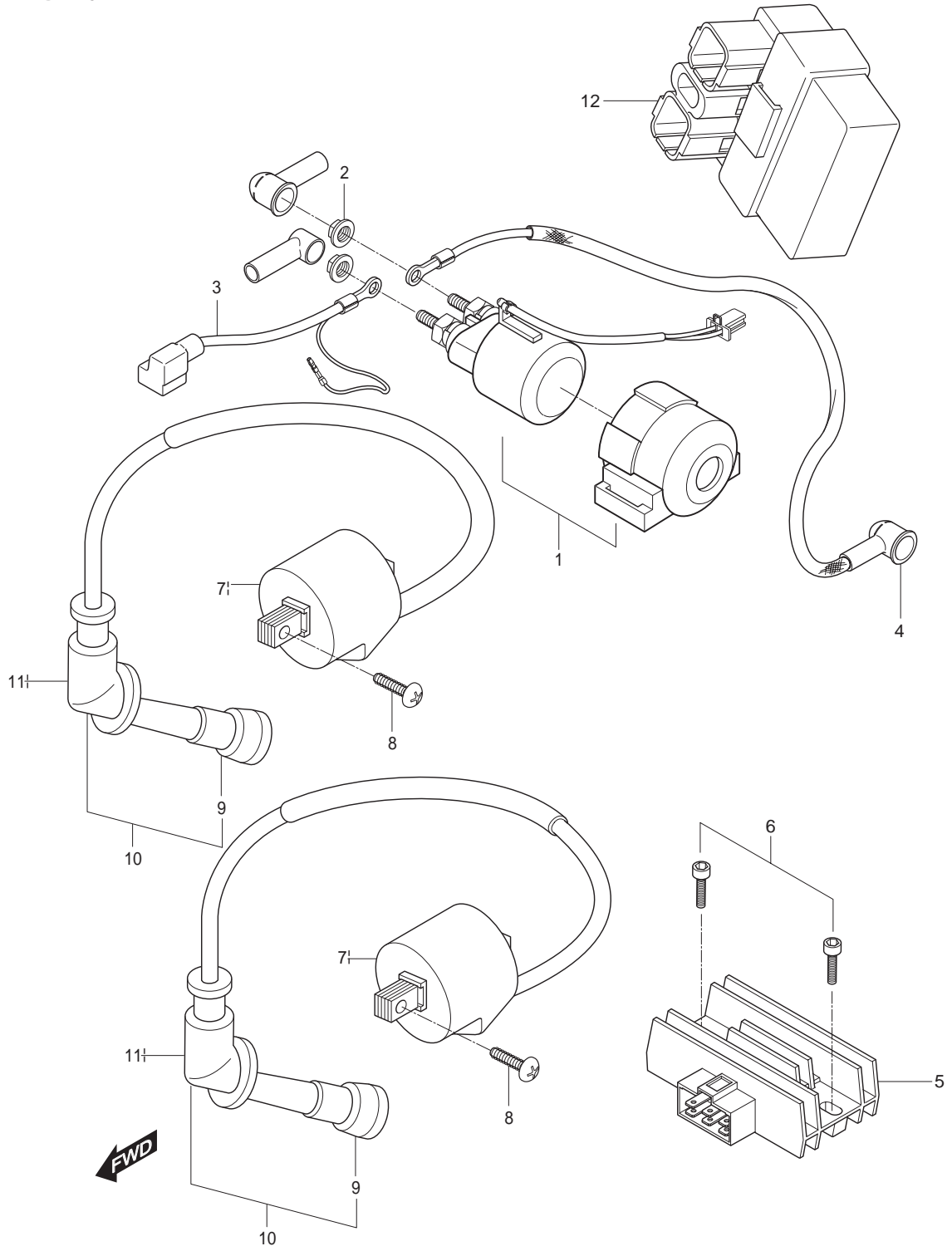
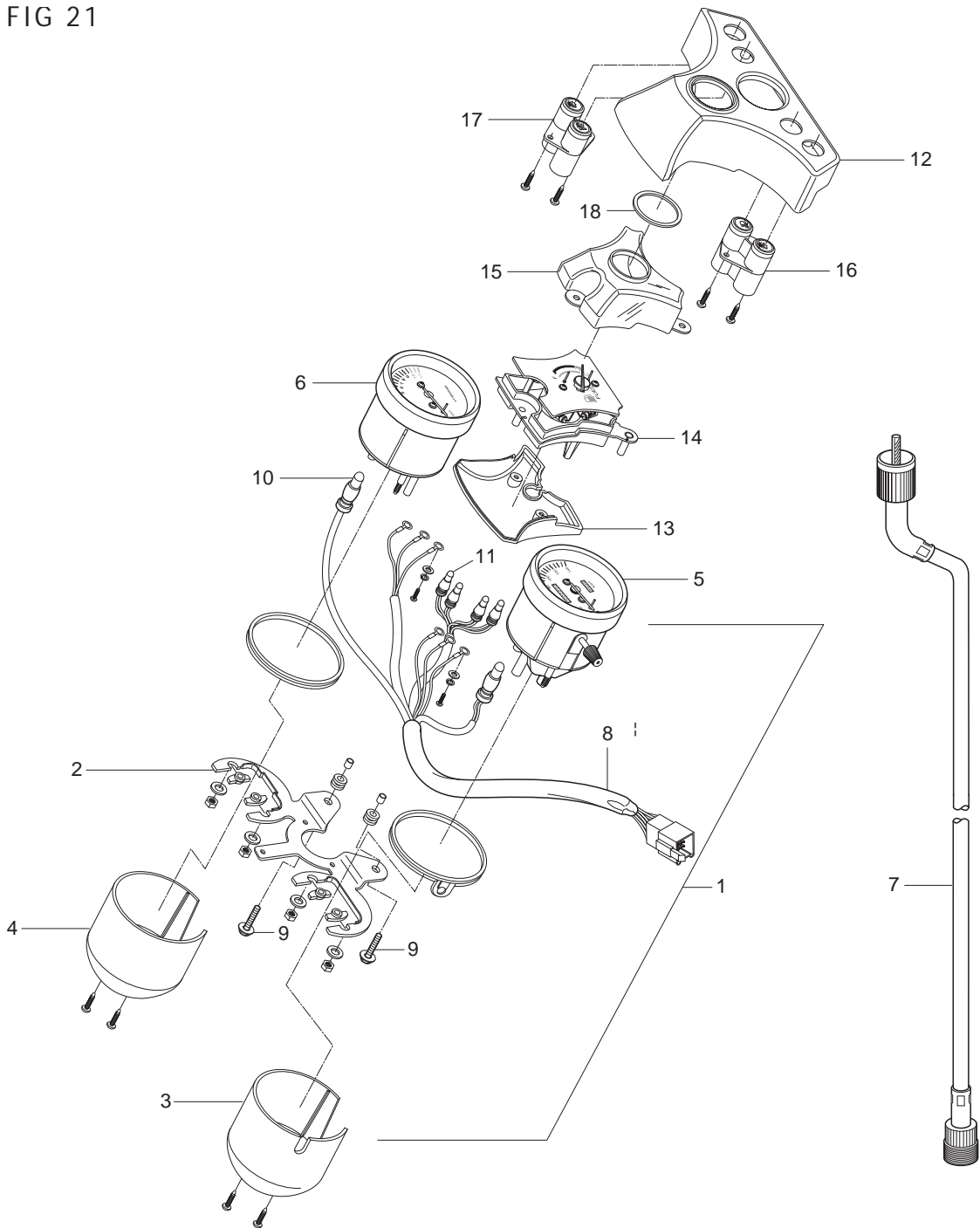


FIG 20. ELECTRICAL

REF.					PARTS NAME	Q`TY	REMARKS	
NO.	SEU01	SF01	SG01	SS01				REC. Q'TY
1	31800HG5100	31800HG5100	31800HG5100	31800HG5100	RELAY ASS`Y, starting motor	1		10
2	08316-26066	08316-26066	08316-26066	08316-26066	NUT, starter motor relay terminal	2		
3	33840HM8101	33840HM8101	33840HM8101	33840HM8101	LEAD WIRE, battery plus(+)	1		
4	33850HM8100	33850HM8100	33850HM8100	33850HM8100	LEAD WIRE, starter motor	1		
5	32800H01413	32800H01413	32800H01413	32800H01413	RECTIFIER regulator ASS`Y	1		10
6	07110-06208	07110-06208	07110-06208	07110-06208	BOLT, rectifier	2		
7	33410HM8100	33410HM8100	33410HM8100	33410HM8100	COIL ASS`Y, ignition	2		10
8	09128-06035	09128-06035	09128-06035	09128-06035	BOLT, ignition coil(M6× 20)	4		
9	33541-23E01	33541-23E01	33541-23E01	33541-23E01	SEAL, spark plug	2		
10	33510-05C01	33510-05C01	33510-05C01	33510-05C01	CAP, spark plug	2		10
11	33542-24D00	33542-24D00	33542-24D00	33542-24D00	SEAL, high tention cord	2		
12	32900HM8153	32900HM8153	32900HM8153	32900HM8153	CDI UNIT	1		10

FIG 21



FWD

FIG 21. SPEEDOMETER ASS'Y

REF.					PARTS NAME	Q'TY	REMARKS	
NO.	SEU01	SF01	SG01	SS01				REC. Q'TY
1	34100HM7950	34100HM7950	34100HM7950	34100HM7950	SPEEDOMETER ASS'Y	1		4
2	34950HG5100ST	34950HG5100ST	34950HG5100ST	34950HG5100ST	BRACKET	1		
3	34105HM8100	34105HM8100	34105HM8100	34105HM8100	LOWER CASE, speedometer	1		
4	34106HM8100	34106HM8100	34106HM8100	34106HM8100	LOWER CASE, tachometer	1		
5	34110HM7950	34110HM7950	34110HM7950	34110HM7950	SPEEDOMETER	1		
6	34120HM7900	34120HM7900	34120HM7900	34120HM7900	TACHOMETER	1		
7	34910HG5103	34910HG5103	34910HG5103	34910HG5103	CABLE ASS'Y, speedometer	1		10
8	34117HG5100	34117HG5100	34117HG5100	34117HG5100	WIRING ASS'Y, speedometer	1		
9	09116-06010	09116-06010	09116-06010	09116-06010	BOLT, speedometer bracket	2		
10	09471-12077	09471-12077	09471-12077	09471-12077	BULB(12V 1.7W) T10	2		
11	09471-12072	09471-12072	09471-12072	09471-12072	BULB(12V 1.7W) T6.5	4		
12	39110HM7900	39110HM7900	39110HM7900	39110HM7900	INDICATOR LAMP, upper	1		
13	39120HM7900	39120HM7900	39120HM7900	39120HM7900	INDICATOR LAMP, lower	1		
14	34136HG5100	34136HG5100	34136HG5100	34136HG5100	COVER, fuel meter	1	NOT SALE	
14-1	34130HM7900	34130HM7900	34130HM7900	34130HM7900	FUEL METER, ass'y	1		
15	34135HG5100	34135HG5100	34135HG5100	34135HG5100	LENS, fuel meter	1	NOT SALE	
16	34320HG5100	34320HG5100	34320HG5100	34320HG5100	LAMP, housing LH	1		
17	34310HG5100	34310HG5100	34310HG5100	34310HG5100	LAMP, housing RH	1		
18	34350HG5100	34350HG5100	34350HG5100	34350HG5100	PACKING, fuel meter	1	NOT SALE	

FIG 22-2

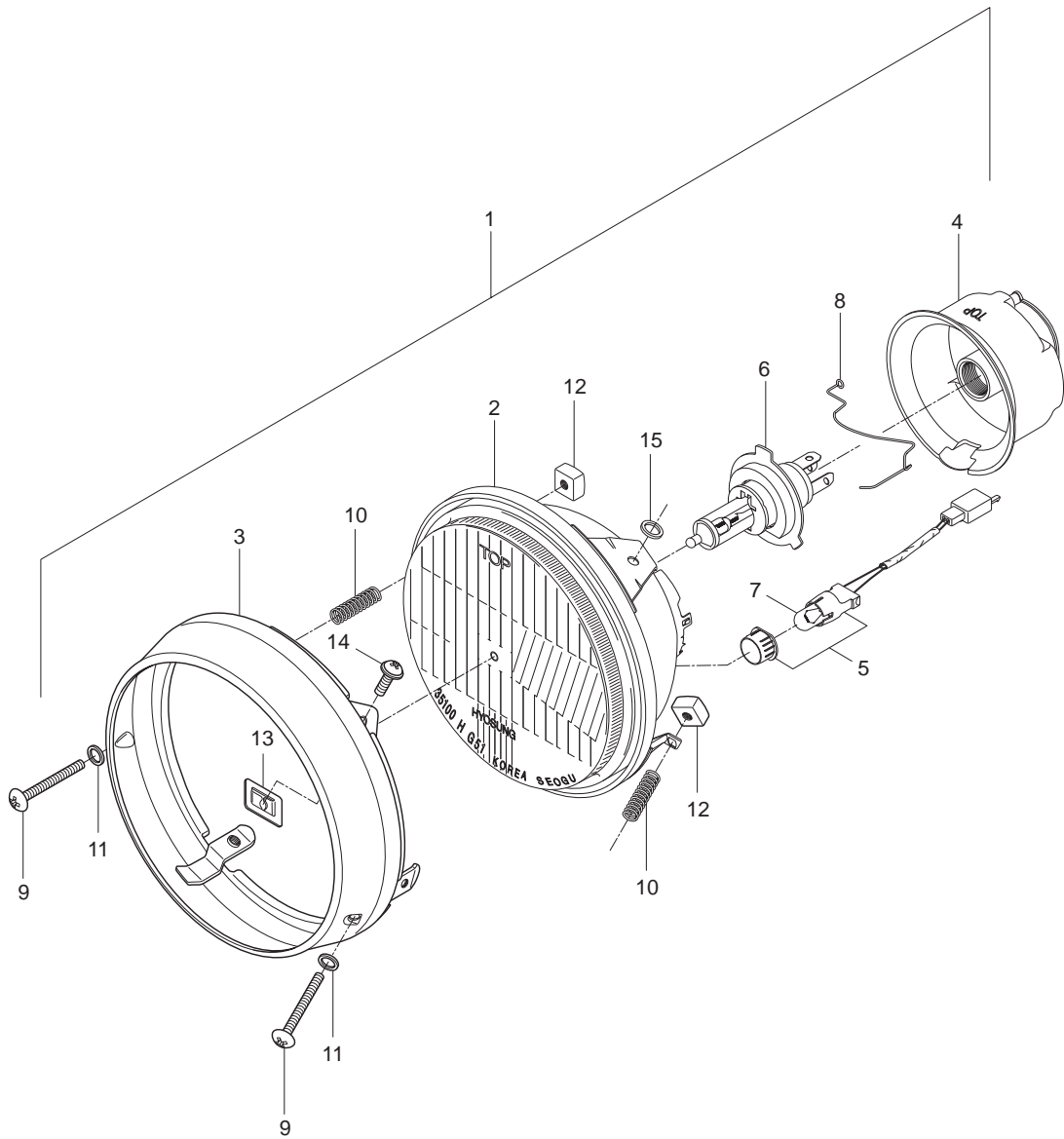


FIG 22. HEAD LAMP

REF.					PARTS NAME	Q'TY	REMARKS	
NO.	SEU01	SF01	SG01	SS01				REC. Q'TY
1	35100HM8152	35100HM8152	35100HM8152	35100HM8152	HEAD LAMP ASS'Y	1		
2	35120HM8150	35120HM8150	35120HM8150	35120HM8150	REFLECTOR+LENS, headlamp	1		
3	35111HM8100	35111HM8100	35111HM8100	35111HM8100	RIM, headlamp	1		
4	35173H93B00	35173H93B00	35173H93B00	35173H93B00	DUST COVER	1		
5	35160HE8320	35160HE8320	35160HE8320	35160HE8320	CORD COMP, front position lamp	1	NOT SALE	
6	09471H12103	09471H12103	09471H12103	09471H12103	BULB, head lamp(12V 60/55W)	1		
7	09471-12110	09471-12110	09471-12110	09471-12110	BULB, front position lamp(12V W5W)	1		
8	35175H93B00	35175H93B00	35175H93B00	35175H93B00	SPRING, bulb socket	1		
9	35151HG5800	35151HG5800	35151HG5800	35151HG5800	SCREW, aiming	2		
10	35154-48510	35154-48510	35154-48510	35154-48510	SPRING, aiming	2		
11	35128H93B00	35128H93B00	35128H93B00	35128H93B00	WASHER, aiming	2		
12	35152-48510	35152-48510	35152-48510	35152-48510	AIMMING, grommet	2		
13	35135-12610	35135-12610	35135-12610	35135-12610	SPACER, aiming nut	1		
14	02112-05088	02112-05088	02112-05088	02112-05088	SCREW, aiming (M5×8)	2		
15	35136HG5800	35136HG5800	35136HG5800	35136HG5800	WASHER, aiming	2		

FIG 23

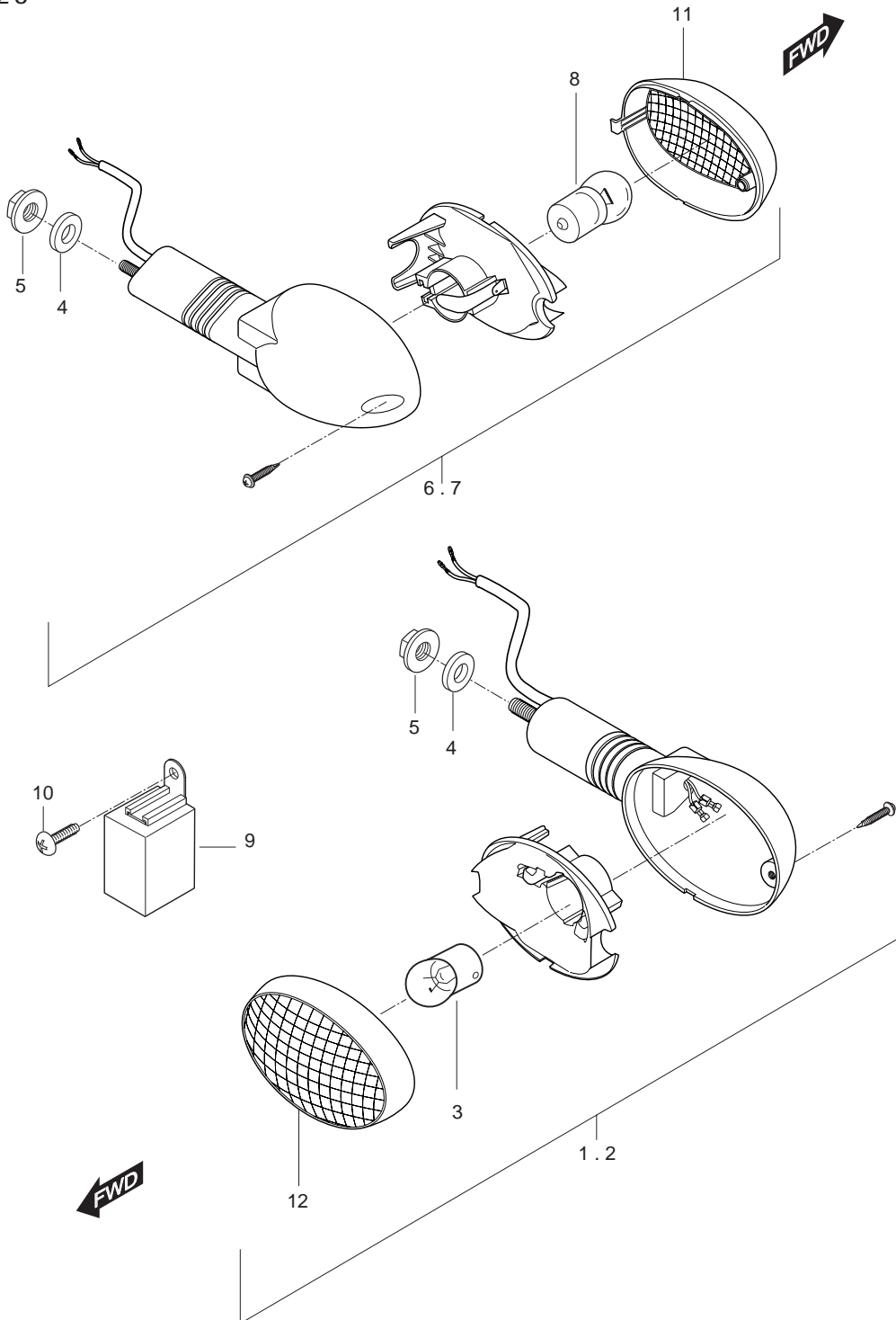


FIG 23. TURN SIGNAL LAMP

REF.					PARTS NAME	Q'TY	REMARKS	
NO.	SEU01	SF01	SG01	SS01				REC. Q'TY
1	35601HR7900	35601HR7900	35601HR7900	35601HR7900	LAMP ASS'Y, FT turnsignal R	1		10
2	35602HR7900	35602HR7900	35602HR7900	35602HR7900	LAMP ASS'Y, FT turnsignal L	1		10
3	09471H12112	09471H12112	09471H12112	09471H12112	BULB, FT turnsignal lamp(12V, 10W)	2		
4	09160-06019	09160-06019	09160-06019	09160-06019	WASHER, FT turnsignal lamp	4		
5	08316-26066	08316-26066	08316-26066	08316-26066	NUT, FT turnsignal lamp	4		
6	35603HR8600	35603HR8600	35603HR8600	35603HR8600	LAMP ASS'Y, RR turnsignal R	1		10
7	35604HR8600	35604HR8600	35604HR8600	35604HR8600	LAMP ASS'Y, RR turnsignal L	1		10
8	09471H12112	09471H12112	09471H12112	09471H12112	BULB, RR turnsignal lamp(12V, 10W)	2		
9	38610HL7300	38610HL7300	38610HL7300	38610HL7300	RELAY ASS'Y, turnsignal	1		
10	01517-06206	01517-06206	01517-06206	01517-06206	BOLT, turnsignal, relay	1		
11	35612HR7900	35612HR7900	35612HR7900	35612HR7900	LENS, FT turnsignal R	1		40
12	35632HR7900	35632HR7900	35632HR7900	35632HR7900	LENS, FT turnsignal L	1		40
13	35652HR7800	35652HR7800	35652HR7800	35652HR7800	LENS, RR turnsignal R	1		
14	35672HR7800	35672HR7800	35672HR7800	35672HR7800	LENS, RR turnsignal L	1		

FIG 24

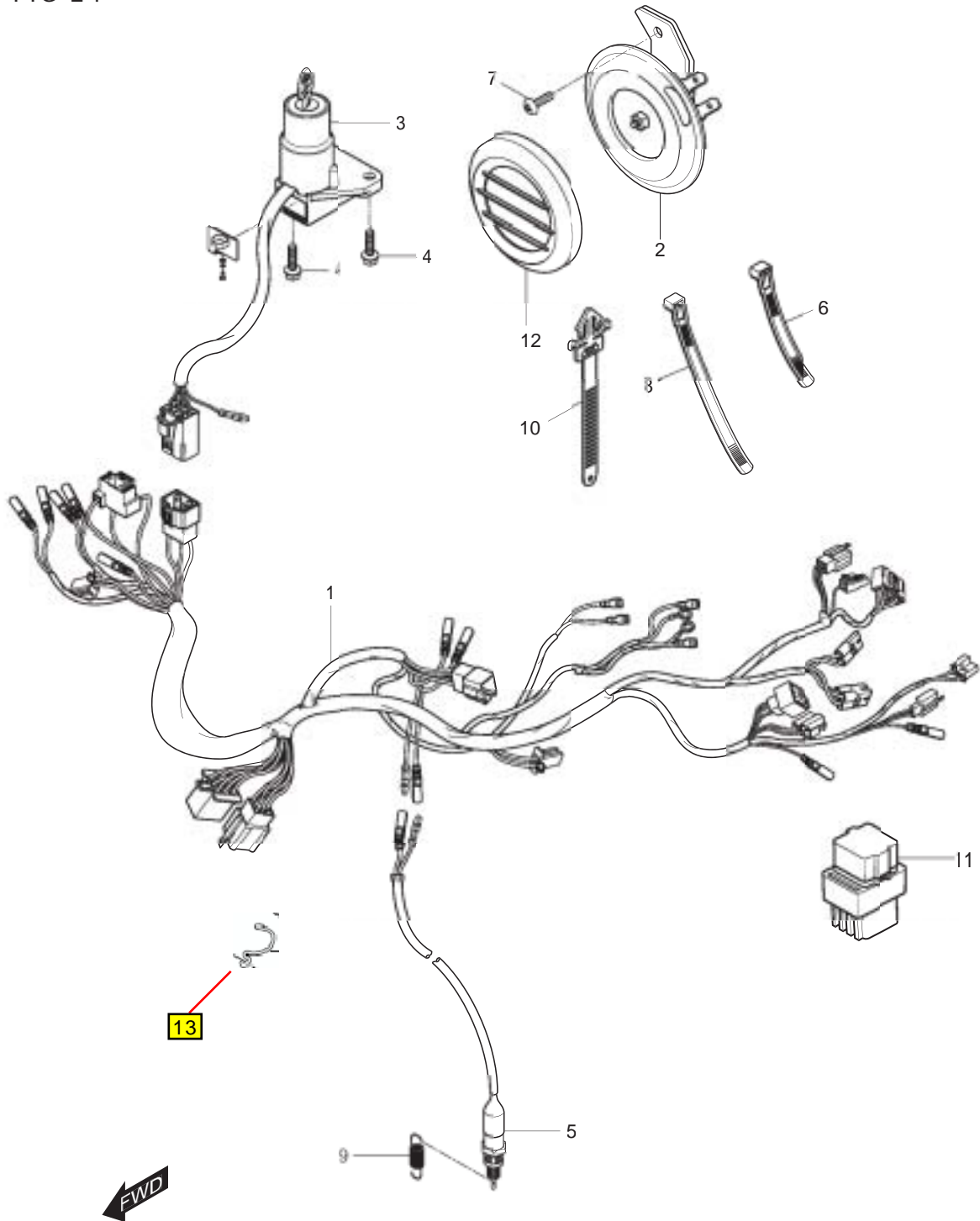


FIG 24. WIRING HARNESS

REF.					PARTS NAME	Q`TY	REMARKS	
NO.	SEU01	SF01	SG01	SS01				REC. Q'TY
1	36610HM7950	36610HM7950	36610HM7950	36610HM7950	HARNESS, wiring	1		
2	38500HM8101	38500HM8101	38500HM8101	38500HM8101	HORN ASS'Y	1		10
3	37000HM8130	37000HM8130	37000HM8130	37000HM8130	KEY SET	1		5
4	01517-06206	01517-06206	01517-06206	01517-06206	BOLT, steering lock	2		
5	37740H04512	37740H04512	37740H04512	37740H04512	SWITCH ASS'Y, brake lamp	1		
6	09407-14403	09407-14403	09407-14403	09407-14403	CLAMP, wiring harness	8		
7	02112-36128	02112-36128	02112-36128	02112-36128	SCREW, horn	1		
8	09407-22402	09407-22402	09407-22402	09407-22402	CLAMP, wiring harness	2		
9	09443H06006	09443H06006	09443H06006	09443H06006	SPRING	1		
10	09407-14408	09407-14408	09407-14408	09407-14408	CLAMP, wiring harness	5		
11	36740-35C00	36740-35C00	36740-35C00	36740-35C00	BOX ASS'Y, fuse	1		
12	38510H93B00	38510H93B00	38510H93B00	38510H93B00	COVER, horn	1		
13	41495HN9101	41495HN9101	41495HN9101	41495HN9101	GUIDE CLAMP, horn	1		

FIG 25

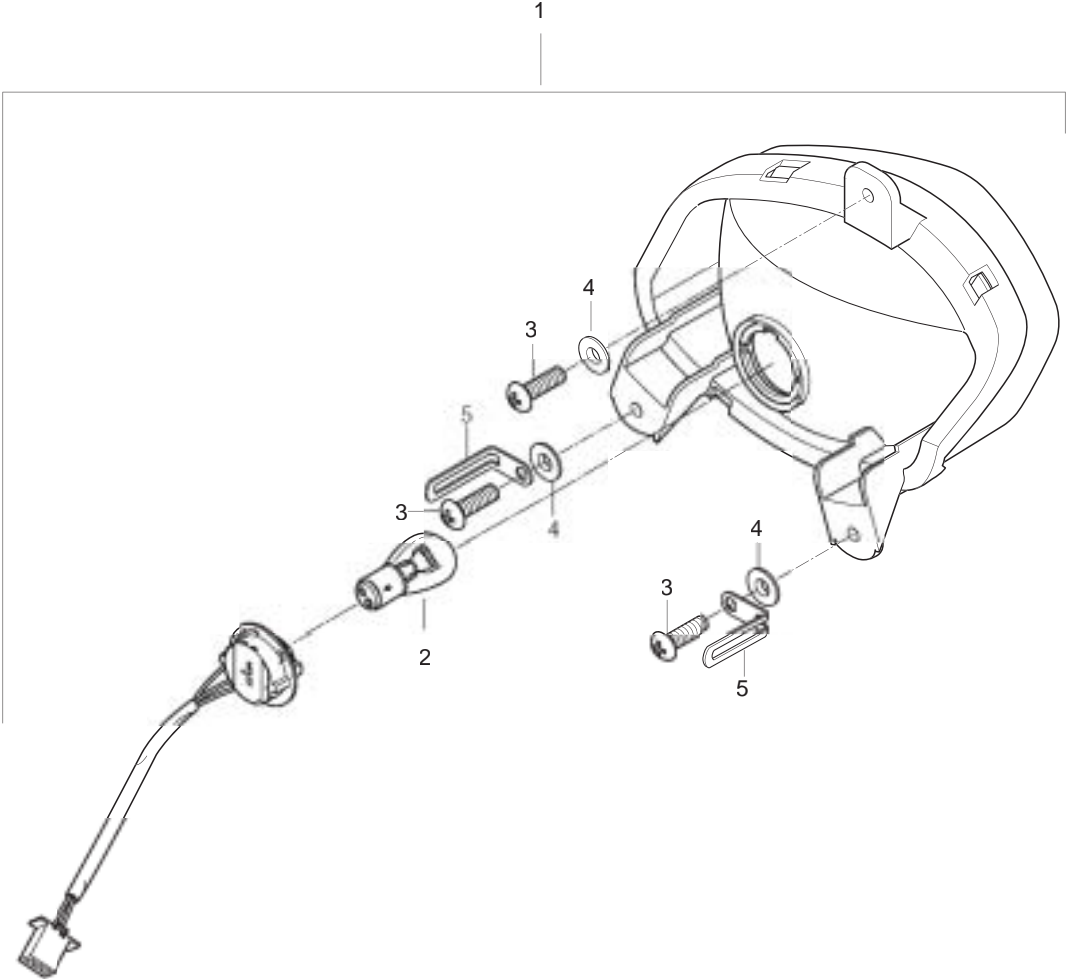


FIG 25. REAR COMBINATION

REF.					PARTS NAME	Q`TY	REMARKS	
NO.	SEU01	SF01	SG01	SS01				REC. Q`TY
1	35710HM8152	35710HM8152	35710HM8152	35710HM8152	LAMP ASS`Y, tail & stop	1		10
2	09471-12046	09471-12046	09471-12046	09471-12046	BULB, tail & stop(12V 21/5W)	1		
3	03241-05166	03241-05166	03241-05166	03241-05166	SCREW, tail & stop	3		
4	09160-05017	09160-05017	09160-05017	09160-05017	WASHER, tail & stop	3		
5	09404-06401	09404-06401	09404-06401	09404-06401	CLAMP, tail & stop	2		

FIG 26

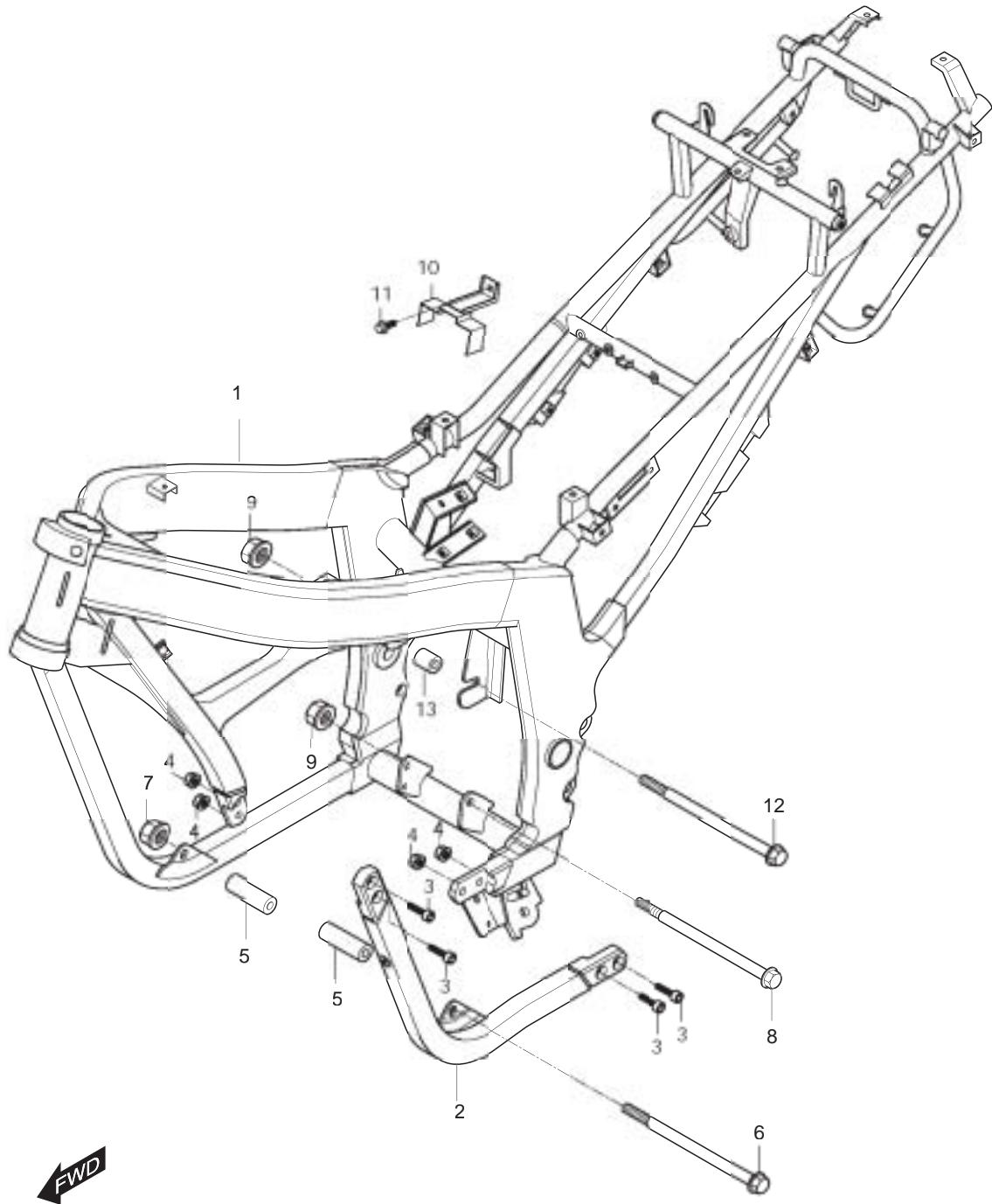


FIG 26. FRAME

REF.					PARTS NAME	Q`TY	REMARKS	
NO.	SEU01	SF01	SG01	SS01				REC. Q`TY
1	41100HS6500PAM	41100HS6500PAM	41100HS6500PAM	41100HS6500PAM	FRAME COMP	1		1
2	41151HM8101PAM	41151HM8101PAM	41151HM8101PAM	41151HM8101PAM	TUBE COMP, frame down L(Black)	1		1
3	07110-08258	07110-08258	07110-08258	07110-08258	BOLT, frame joint	4		
4	08316-16088	08316-16088	08316-16088	08316-16088	NUT, frame joint	4		
5	41161HM8100	41161HM8100	41161HM8100	41161HM8100	SPACER, frame & engine front L=59	2		
6	09103H10099	09103H10099	09103H10099	09103H10099	BOLT, frame & engine frontL=228	1		
7	08319-31106	08319-31106	08319-31106	08319-31106	NUT, frame & engine front	1		
8	09103H10022	09103H10022	09103H10022	09103H10022	BOLT, frame & engine rear lower L=110	1		2
9	08319-31106	08319-31106	08319-31106	08319-31106	NUT, frame & engine rear	1		
10	41320HM8100	41320HM8100	41320HM8100	41320HM8100	PLATE COMP, C D I	1		
11	01517-06206	01517-06206	01517-06206	01517-06206	BOLT, C D I plate	1		
12	09103H10153	09103H10153	09103H10153	09103H10153	BOLT, frame & engine rear upper L=136	1		
13	41171HM8100	41171HM8100	41171HM8100	41171HM8100	SPACER, frame & engine rear upper L=26	1		

FIG 27

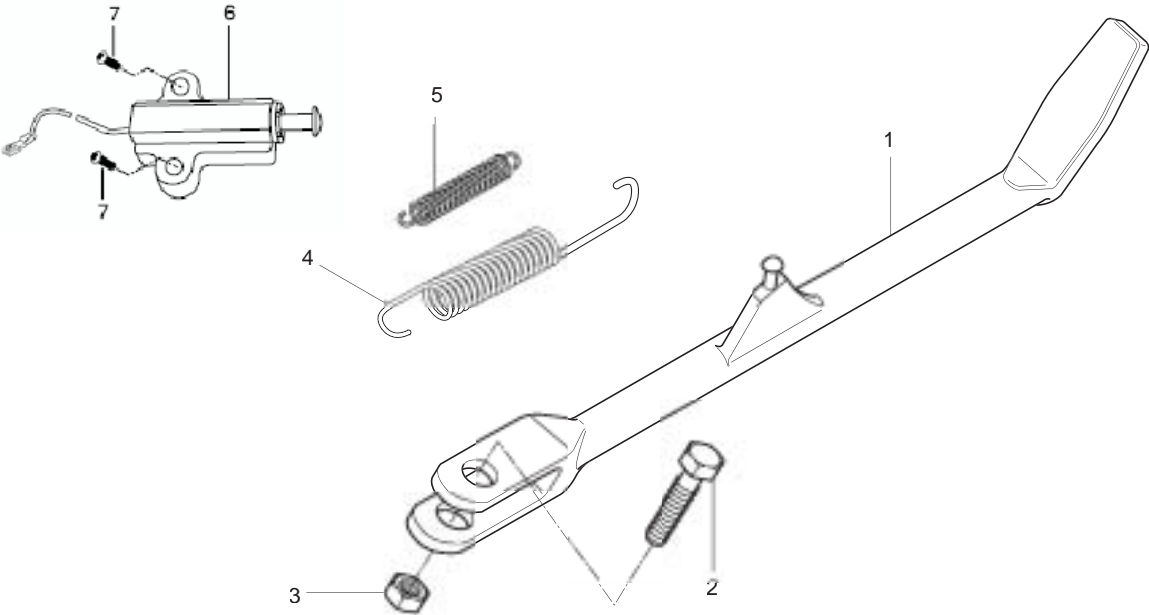


FIG 27. PROP STAND

REF.					PARTS NAME	Q`TY	REMARKS	
NO.	SEU01	SF01	SG01	SS01				REC. Q`TY
1	42310HN9150120	42310HN9150120	42310HN9150120	42310HN9150120	STAND COMP, PROP	1		
2	09100-10031	09100-10031	09100-10031	09100-10031	BOLT, prop stand(M10× 30)	1		
3	08310-22106	08310-22106	08310-22106	08310-22106	NUT, prop stand(M10)	1		
4	09443-15047	09443-15047	09443-15047	09443-15047	SPRING, prop stand	1		
5	09443-06001	09443-06001	09443-06001	09443-06001	SHIM, prop stand	1		
6	37840HM8100	37840HM8100	37840HM8100	37840HM8100	SWITCH, side stand	1		
7	01517-06205	01517-06205	01517-06205	01517-06205	BOLR, Side Stand Switch	2		

FIG 28

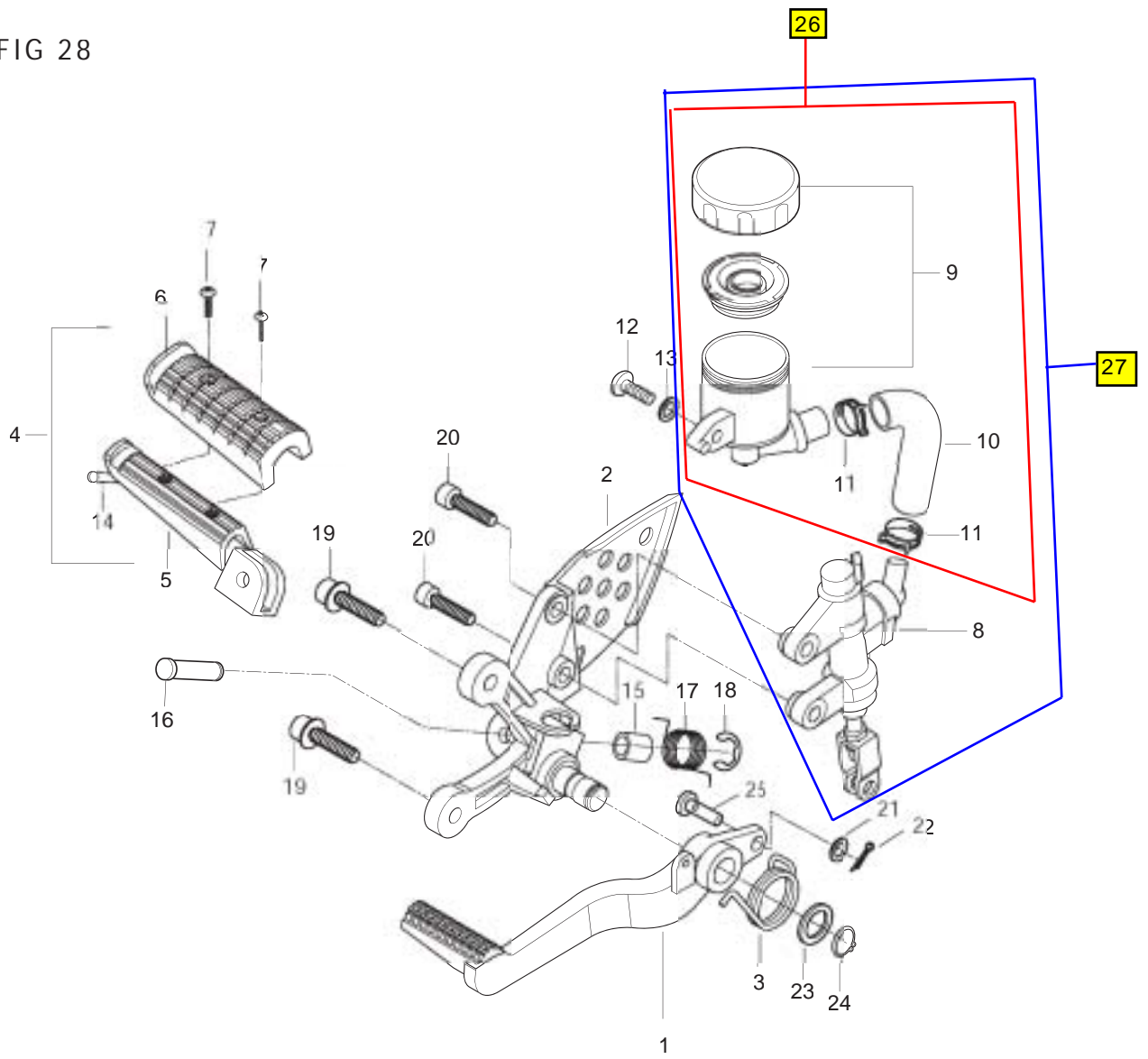


FIG 28. REAR BRAKE

REF.					PARTS NAME	Q'TY	REMARKS	
NO.	SEU01	SF01	SG01	SS01				REC. Q'TY
1	43110HM810003P	43110HM810003P	43110HM810003P	43110HM810003P	PEDAL COMP, brake	1		5
2	43530HM810603P	43530HM810603P	43530HM810603P	43530HM810603P	BRACKET COMP, front footrest R	1		10
3	09448H30002	09448H30002	09448H30002	09448H30002	SPRING, brake pedal return	1		
4	43560HM8100	43560HM8100	43560HM8100	43560HM8100	FOOTREST ASS'Y, front R	1		10
5	43561HM8100	43561HM8100	43561HM8100	43561HM8100	FOOTREST, bar front R	1		
6	43530H30A40	43530H30A40	43530H30A40	43530H30A40	RUBBER COMP, front footrest R	1		
7	02112-05126	02112-05126	02112-05126	02112-05126	SCREW, front footrest	2		
8	69600HM8100	69600HM8100	69600HM8100	69600HM8100	CYLINDER ASS'Y, rear master	1		
9	69740HM8100	69740HM8100	69740HM8100	69740HM8100	TANK ASS'Y, reserver	1	NOT SALE	
10	69700HM8101	69700HM8101	69700HM8101	69700HM8101	HOSE ASS'Y, reserver tank	1	NOT SALE	
11	09400H13001	09400H13001	09400H13001	09400H13001	CLMAP, reserver tank hose	2		
12	01517-06168	01517-06168	01517-06168	01517-06168	BOLT, reserver tank	1		
13	09160-06019	09160-06019	09160-06019	09160-06019	WASHER, reserver tank	1		
14	43533H30A40	43533H30A40	43533H30A40	43533H30A40	BOLT, pillion footrest	1	NOT SALE	
15	09180H08008	09180H08008	09180H08008	09180H08008	SPACER, front footrest	1		
16	43579HM8101	43579HM8101	43579HM8101	43579HM8101	PIN, front footrest	1		
17	09448H14007	09448H14007	09448H14007	09448H14007	SPRING, front footrest	1		
18	08332-11079	08332-11079	08332-11079	08332-11079	E-RING, front footrest	1		
19	07120-08258	07120-08258	07120-08258	07120-08258	BOLT, front footrest bracket	2		
20	07120-08258	07120-08258	07120-08258	07120-08258	BOLT, master cylinder	2		
21	08332-21068	08332-21068	08332-21068	08332-21068	WASHER, rear master cylinder	1		
22	04111-20208	04111-20208	04111-20208	04111-20208	COTTER PIN, rear master cylinder	1		
23	09160H15002	09160H15002	09160H15002	09160H15002	WASHER, brake pedal	1		
24	08331-31159	08331-31159	08331-31159	08331-31159	CIRCLIP, brake pedal	1		
25	09200H06040	09200H06040	09200H06040	09200H06040	PIN, rear master cylinder	1		5
26	69800HN9100	69800HN9100	69800HN9100	69800HN9100	TANK ASS'Y, Master	1		
27	69609HN9100	69609HN9100	69609HN9100	69609HN9100	CYLINDER SET, rear master	1		5

FIG 29

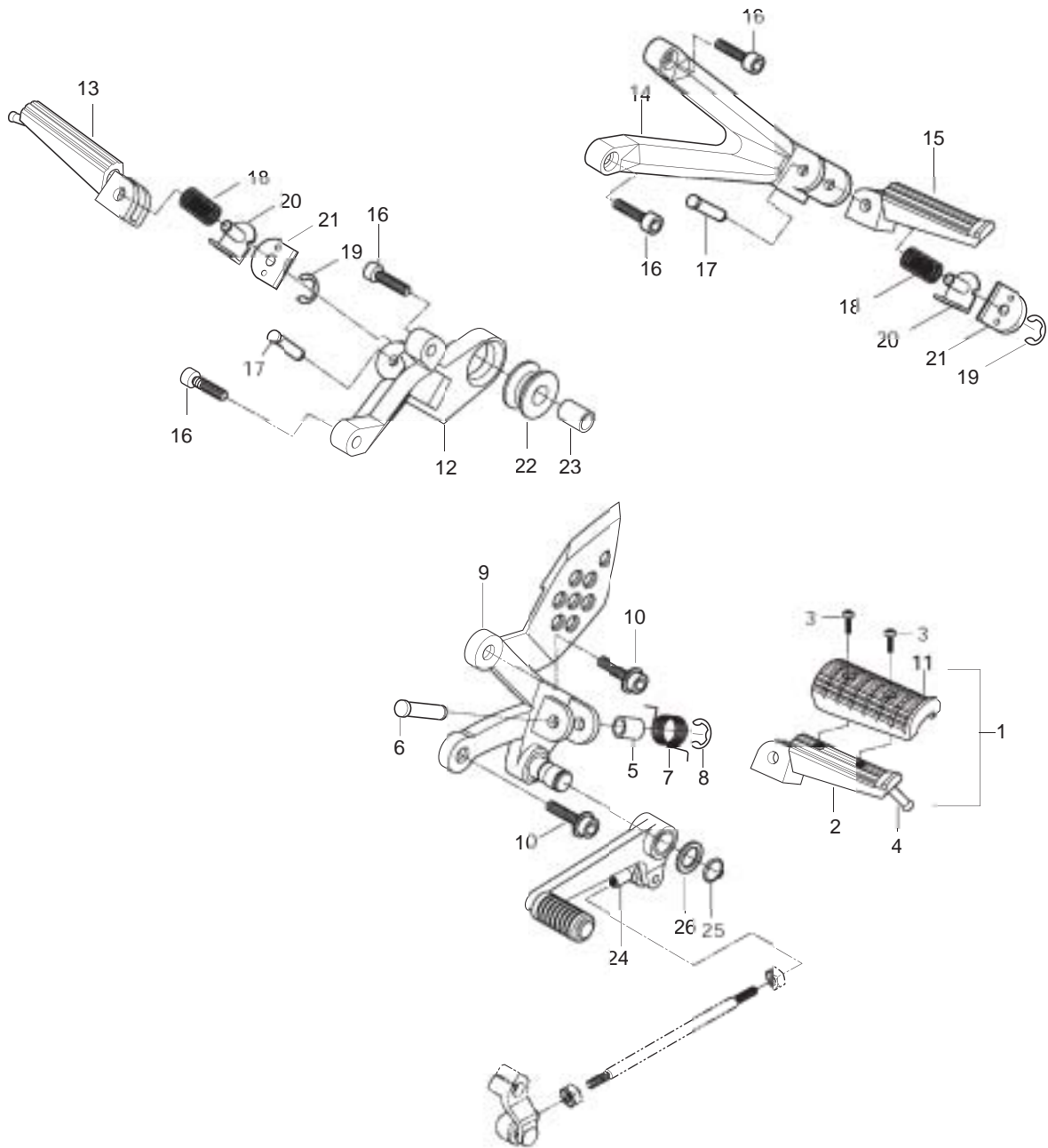
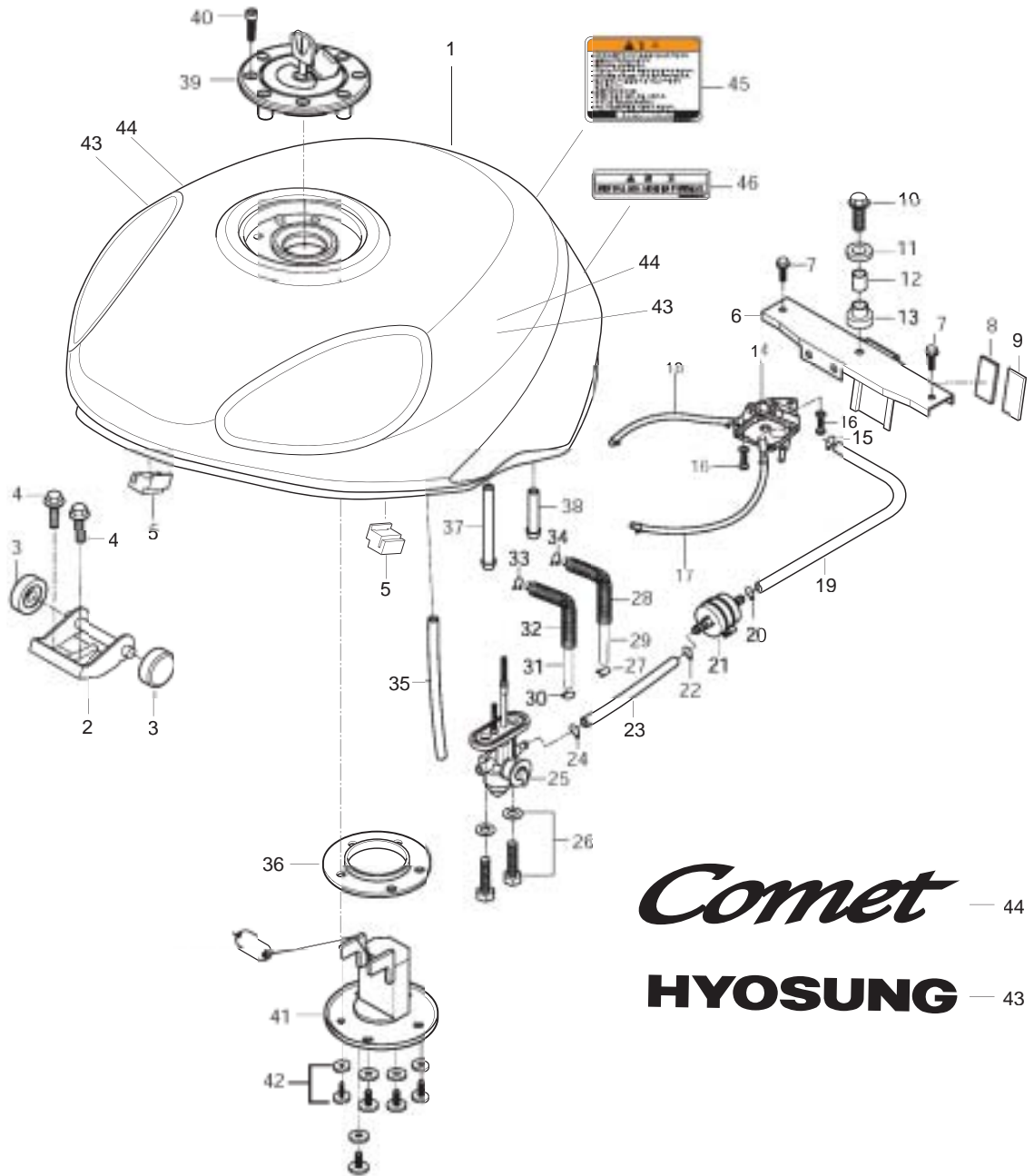


FIG 29. FOOTREST

REF.					PARTS NAME	Q'TY	REMARKS	
NO.	SEU01	SF01	SG01	SS01				REC. Q'TY
1	43570HM8100	43570HM8100	43570HM8100	43570HM8100	FOOTREST ASS'Y, front L	1		10
2	43571HM8100	43571HM8100	43571HM8100	43571HM8100	FOOTREST BAR, front L	1		
3	02112-05126	02112-05126	02112-05126	02112-05126	SCREW, front footrest	2		
4	43533H30A40	43533H30A40	43533H30A40	43533H30A40	BOLT, front footrest bar	1	NOT SALE	
5	09180H08008	09180H08008	09180H08008	09180H08008	SPACER, front footrest	1		
6	43579HM8101	43579HM8101	43579HM8101	43579HM8101	PIN, front footrest bar	1		
7	09448H14007	09448H14007	09448H14007	09448H14007	SPRING, front footrest	1		
8	08332-11079	08332-11079	08332-11079	08332-11079	E-RING, front footrest	1		
9	43540HN910103P	43540HN910103P	43540HN910103P	43540HN910103P	BRACKET COMP, front footrest L	1		
10	07120-08258	07120-08258	07120-08258	07120-08258	BOLT, front footrest bracket R	2		
11	43530H30A40	43530H30A40	43530H30A40	43530H30A40	RUBBER COMP, front footrest R	1		
12	43621HM810203P	43621HM810203P	43621HM810203P	43621HM810203P	BRACKET, pillion footrest R	1		
13	43661HM8101	43661HM8101	43661HM8101	43661HM8101	FOOTREST BAR, pillion R	1		10
14	43721HM810203P	43721HM810203P	43721HM810203P	43721HM810203P	BRACKET, pillion footrest L	1		
15	43671HM8101	43671HM8101	43671HM8101	43671HM8101	FOOTREST BAR, pillion L	1		10
16	07110-08258	07110-08258	07110-08258	07110-08258	BOLT, pillion footrest bracket	4		
17	43679HM8101	43679HM8101	43679HM8101	43679HM8101	PIN, pillion footrest	2		
18	09448H08008	09448H08008	09448H08008	09448H08008	SPRING, pillion footrest	2		
19	08332-11048	08332-11048	08332-11048	08332-11048	E-RING, pillion footrest	2		
20	43631HM8101	43631HM8101	43631HM8101	43631HM8101	PLATE, pillion stopper No.1	2		
21	43641HM8101	43641HM8101	43641HM8101	43641HM8101	PLATE, pillion stopper No.2	2		
22	09320-14015	09320-14015	09320-14015	09320-14015	CUSHION, muffler support	1		
23	09180-10044	09180-10044	09180-10044	09180-10044	SPACER, muffler support	1		
24	25600HM810103P	25600HM810103P	25600HM810103P	25600HM810103P	LEVER COMP, gear shift cam	1		
25	08331-31159	08331-31159	08331-31159	08331-31159	CIRCLIP, gear shift lever	1		
26	09160H15002	09160H15002	09160H15002	09160H15002	WASHER, gear shift lever	1		

FIG 30



Comet — 44

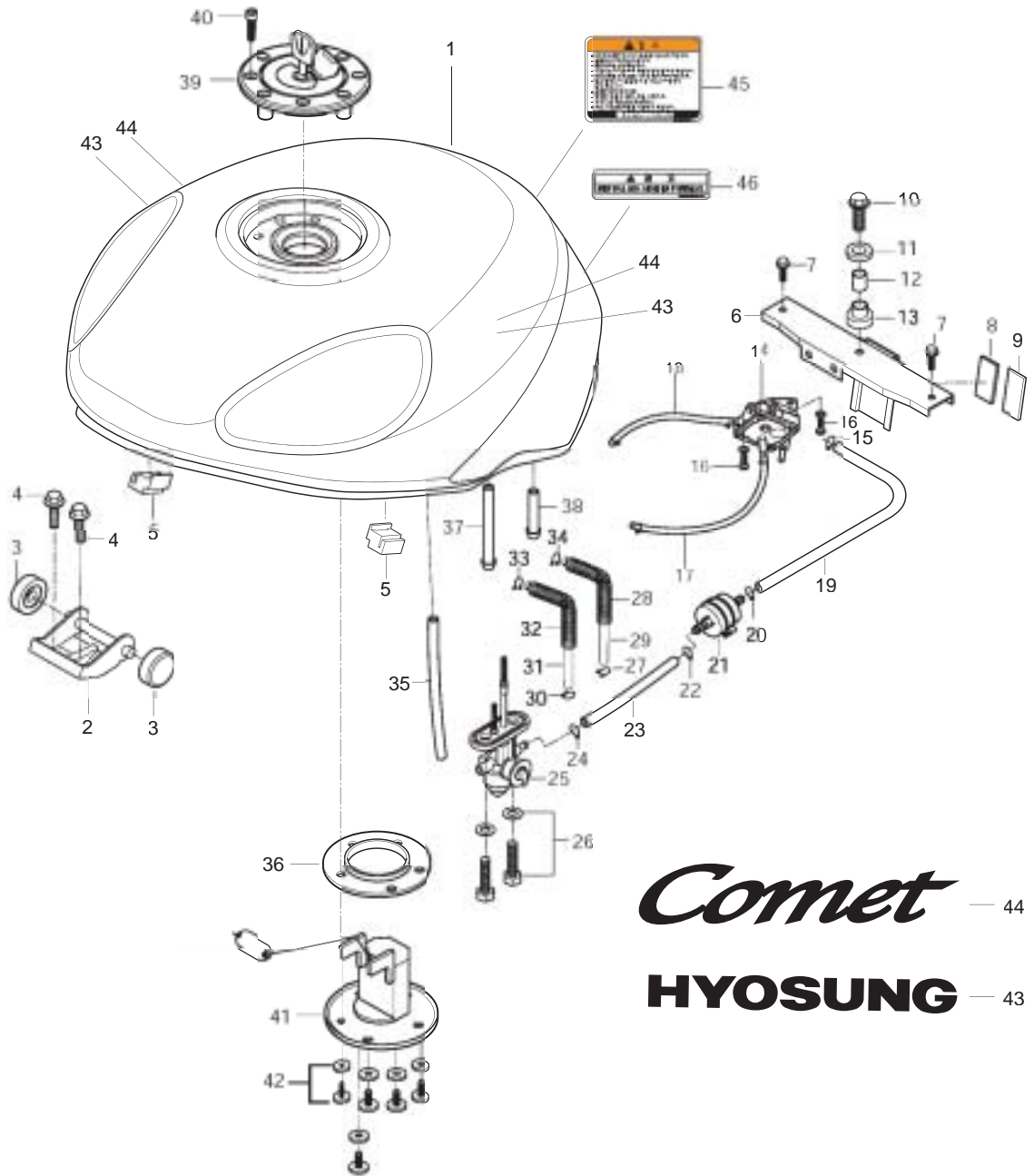
HYOSUNG — 43



FIG 30. FUEL TANK

REF.					PARTS NAME	Q'TY	REMARKS	
NO.	SEU01	SF01	SG01	SS01				REC. Q'TY
1	44110HN9100	44110HN9100	44110HN9100	44110HN9100	TANK COMP, fuel(CDB,CMB,CTR,CMO)	1		
	There is no plate caution on fuel tank.							
2	44520HM8100	44520HM8100	44520HM8100	44520HM8100	BRKT COMP, fuel tank front	2		
3	09329-10007	09329-10007	09329-10007	09329-10007	CUSHION, fuel tank front	2		
4	01517-06206	01517-06206	01517-06206	01517-06206	BOLT, fuel tank front brkt	2		
5	09329H28001	09329H28001	09329H28001	09329H28001	CUSHION, fuel tank side	1		
6	44530HM8100	44530HM8100	44530HM8100	44530HM8100	BRKT COMP, fuel tank RR	2		
7	01517-06206	01517-06206	01517-06206	01517-06206	BOLT, fuel tank RR brkt	1		
8	44613HE7100	44613HE7100	44613HE7100	44613HE7100	CUSHION, fuel tank RR brkt & battery	1		
9	44218HF4500	44218HF4500	44218HF4500	44218HF4500	CUSHION, fuel tank RR brkt & battery	1		
10	09116H08078	09116H08078	09116H08078	09116H08078	BOLT, fuel tank RR	1		
11	09320H14013	09320H14013	09320H14013	09320H14013	CUSHION, fuel tank RR up	1		
12	09180H08007	09180H08007	09180H08007	09180H08007	SPACER, fuel tank RR cushion	1		
13	09320H10020	09320H10020	09320H10020	09320H10020	CUSHION, fuel tank RR lower	1		
14	15100HG5100	15100HG5100	15100HG5100	15100HG5100	PUMP ASS'Y, fuel	1		
15	09401H11401	09401H11401	09401H11401	09401H11401	CLIP, strainer outlet No.1	1		
16	02112-06166	02112-06166	02112-06166	02112-06166	SCREW, fuel pump	2		
17	44199HF1600	44199HF1600	44199HF1600	44199HF1600	HOSE, fuel pump vacuum	1		
18	15831HK2700	15831HK2700	15831HK2700	15831HK2700	HOSE, fuel pump No.1	1		
19	44199HM7900	44199HM7900	44199HM7900	44199HM7900	HOSE, strainer outlet(L=118)	1		10
20	09401-10401	09401-10401	09401-10401	09401-10401	CLIP, strainer outlet No.2	1		
21	44910HG2600	44910HG2600	44910HG2600	44910HG2600	STRAINER COMP, fuel	1		10
22	09401-08401	09401-08401	09401-08401	09401-08401	CLIP, strainer inlet	1		
23	44196HE6100	44196HE6100	44196HE6100	44196HE6100	HOSE, strainer outlet(L=153)	1		
24	09401-08401	09401-08401	09401-08401	09401-08401	CLIP, strainer inlet	1		
25	44300HM8150	44300HM8150	44300HM8150	44300HM8150	COCK ASS'Y, fuel	1		10

FIG 30



Comet — 44

HYOSUNG — 43



FIG 30. FUEL TANK

REF.					PARTS NAME	Q'TY	REMARKS
NO.	SEU01	SF01	SG01	SS01			REC. Q'TY
26	09128H06006	09128H06006	09128H06006	09128H06006	BOLT, fuel cock	1	
27	09401-08401	09401-08401	09401-08401	09401-08401	CLIP, fuel reserve No.1	2	
28	09440-10019	09440-10019	09440-10019	09440-10019	SPRING, fuel on(L=120)	1	
29	44196HM8100	44196HM8100	44196HM8100	44196HM8100	HOSE, fuel on	1	
30	09401-08401	09401-08401	09401-08401	09401-08401	CLIP, fuel on No.1	1	
31	44195HM8100	44195HM8100	44195HM8100	44195HM8100	HOSE, fuel reserve	1	
32	09440-10009	09440-10009	09440-10009	09440-10009	SPRING, fuel reserve(L=180)	1	
33	09401-10401	09401-10401	09401-10401	09401-10401	CLIP, fuel reserve No.2	1	
34	09401-10401	09401-10401	09401-10401	09401-10401	CLIP, fuel on No.2	1	
35	09352H70103650	09352H70103650	09352H70103650	09352H70103650	HOSE, fuel tank drain(L=650)	1	
36	44118-01D30	44118-01D30	44118-01D30	44118-01D30	PLATE, fuel tank inlet	1	NOT SALE
37	44323HM8100	44323HM8100	44323HM8100	44323HM8100	FILTER, fuel on	1	
38	44322HE7100	44322HE7100	44322HE7100	44322HE7100	FILTER, fuel reserve	1	
39	44200H35C30	44200H35C30	44200H35C30	44200H35C30	CAP ASS'Y, fuel tank filler	1	
40	09106-05017	09106-05017	09106-05017	09106-05017	BOLT, fuel tank filler	4	
41	34810HM8102	34810HM8102	34810HM8102	34810HM8102	GAUGE ASS'Y, fuel level sender	1	
42	01134-05106	01134-05106	01134-05106	01134-05106	BOLT, fuel level sender	5	
43	68120HN9100015	68120HN9100015	68120HN9100015	68120HN9100015	EM, HYOSUNG (Pure white) for ODB	2	
	68120HN9100120	68120HN9100120	68120HN9100120	68120HN9100120	EM, HYOSUNG (Black) for OMO,OTR	2	
	68120HN910003P	68120HN910003P	68120HN910003P	68120HN910003P	EM, HYOSUNG(Gray) for OMB	2	
44	68130HS6500015	68130HS6500015	68130HS6500015	68130HS6500015	EM, COMET (Pure white) for ODB	2	
	68130HS6500120	68130HS6500120	68130HS6500120	68130HS6500120	EM, COMET (Black) for OMO,OTR	2	
	68130HS650003P	68130HS650003P	68130HS650003P	68130HS650003P	EM, COMET (Pure white) for OMB	2	
45	68319H05350PL	68319H05390PL	68319H05370PL	68319H05380PL	PLATE, CAUTION	1	

FIG 31

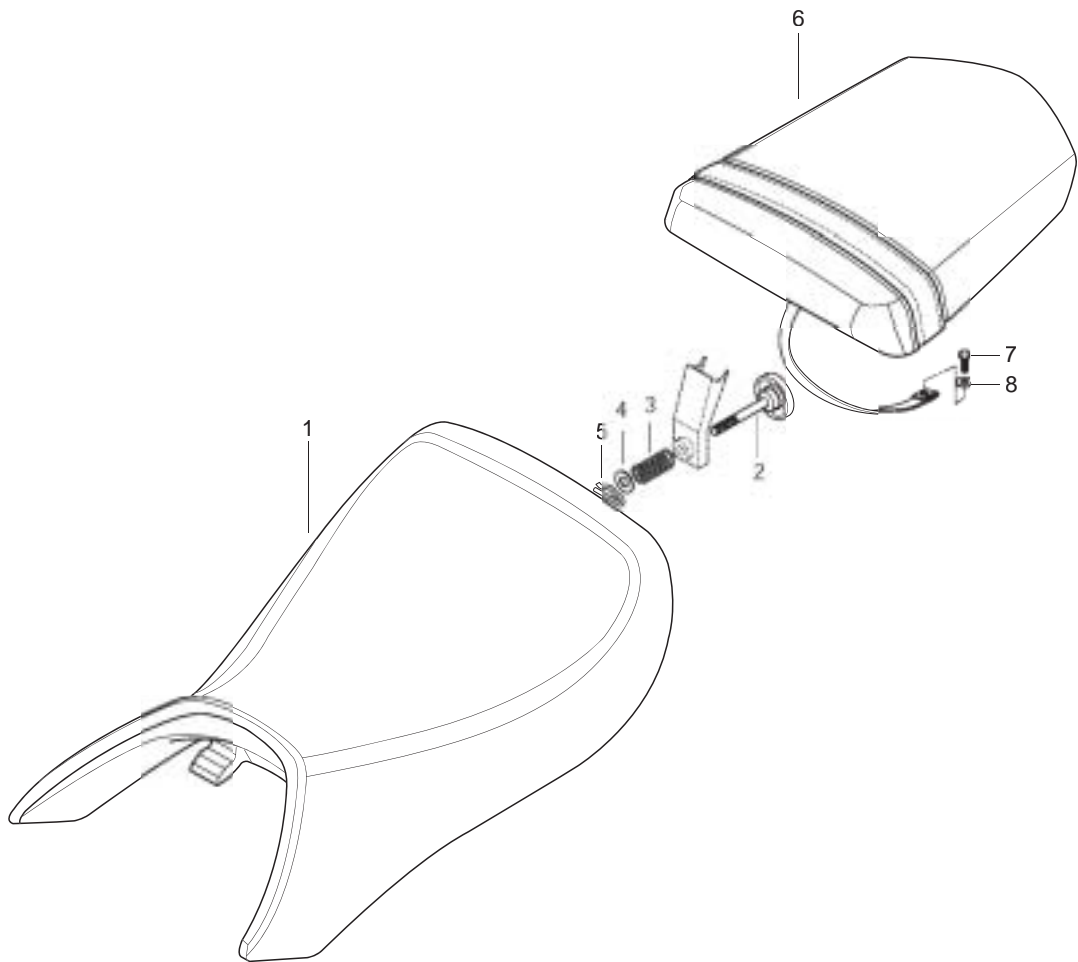


FIG 31. SEAT

REF.					PARTS NAME	Q`TY	REMARKS	
NO.	SEU01	SF01	SG01	SS01				REC. Q`TY
1	45110HM8101HAS	45110HM8101HAS	45110HM8101HAS	45110HM8101HAS	SEAT SET, front	1		5
2	45120HM8101	45120HM8101	45120HM8101	45120HM8101	KNOB COMP, seat front	1		
3	09440-11016	09440-11016	09440-11016	09440-11016	SPRING, seat front knob	1		
4	08322-11088	08322-11088	08322-11088	08322-11088	WASHER, seat front knob	1		
5	04111-20208	04111-20208	04111-20208	04111-20208	PIN, seat front knob	1		
6	45200HM8103	45200HM8103	45200HM8103	45200HM8103	SEAT SET, rear	1		5
7	01517-06206	01517-06206	01517-06206	01517-06206	BOLT, rear seat	1		
8	09160-06057	09160-06057	09160-06057	09160-06057	WASHER, rear seat	1		

FIG 32

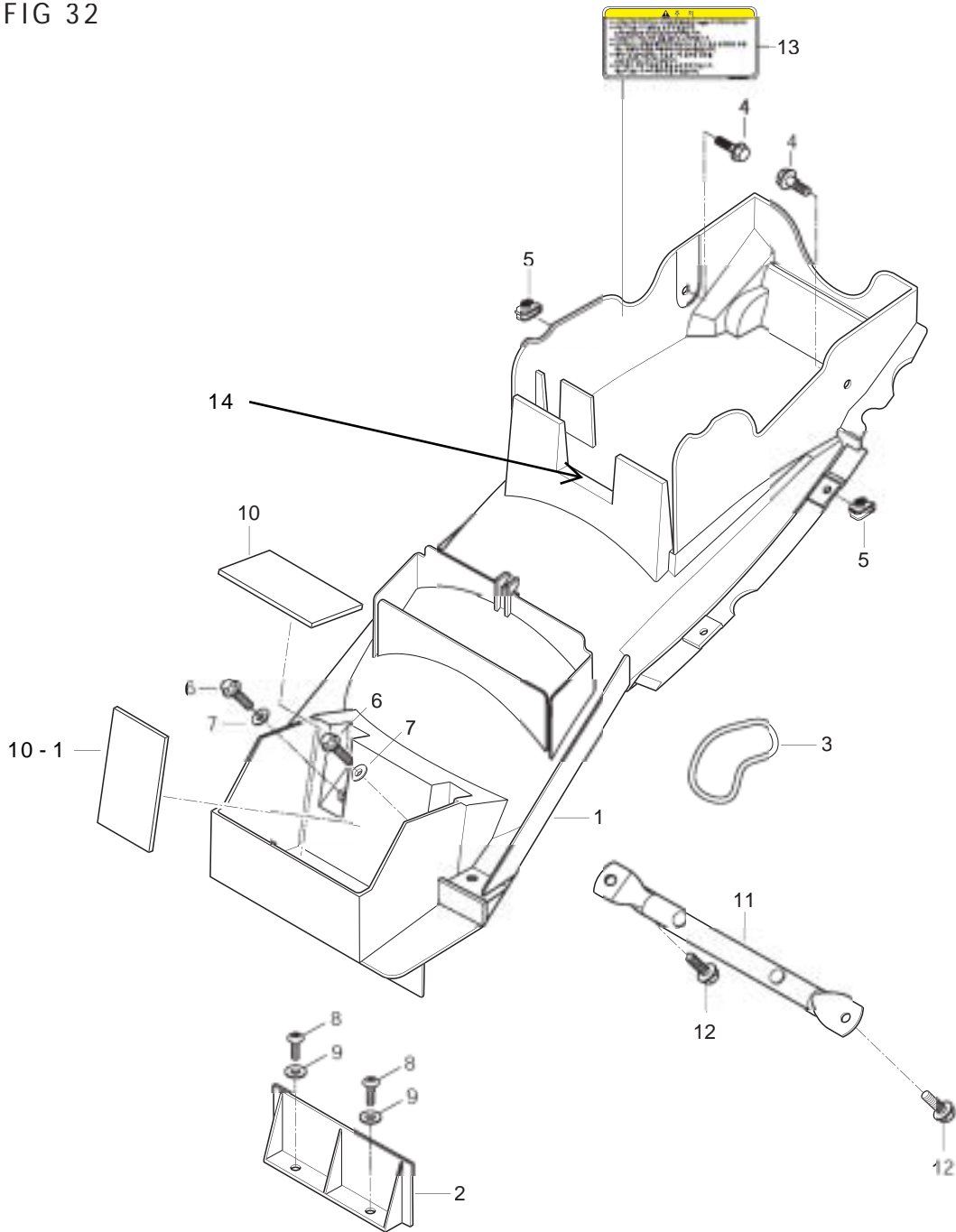


FIG 32. REAR FRONT FENDER

REF.					PARTS NAME	Q`TY	REMARKS	
NO.	SEU01	SF01	SG01	SS01				REC. Q`TY
1	63112HM810412A	63112HM810412A	63112HM810412A	63112HM810412A	FENDER, rear front	1		5
2	63113HM810112A	63113HM810112A	63113HM810112A	63113HM810112A	FENDER, rear lower	1		5
3	09280-63003	09280-63003	09280-63003	09280-63003	BAND, tool	1		
4	09111H06066	09111H06066	09111H06066	09111H06066	BOLT, rr fender ft up	2		
5	09148-05039	09148-05039	09148-05039	09148-05039	NUT, rr fender ft	2		
6	01517-06206	01517-06206	01517-06206	01517-06206	BOLT, rr fender ft & frame side tube	2		
7	09169-06032	09169-06032	09169-06032	09169-06032	WASHER, rr fender ft & frame side tube	2		
8	02142-06166	02142-06166	02142-06166	02142-06166	SCREW, rr fender lower	2		
9	09169-06032	09169-06032	09169-06032	09169-06032	WASHER, rr fender lower	2		
10	41589HG5900	41589HG5900	41589HG5900	41589HG5900	CUSHION, rr fender ft & battery(100×55×4)	1		
10-1	41589HR9700	41589HR9700	41589HR9700	41589HR9700	CUSHION, rr fender ft & battery NO2	1		
11	63120HN9150120	63120HN9150120	63120HN9150120	63120HN9150120	TUBE COMP, RR fender FT & frm side	1		
12	01517-08168	01517-08168	01517-08168	01517-08168	BOLT, frm side tube	2		
13	68350HM8150PL	68350HM8190PL	68350HM8160PL	68350HM8180PL	LABEL, caution NO,1	1		
14	02142-04088	02142-04088	02142-04088	02142-04088	BOLT, RR Fender FT	2		

FIG 33

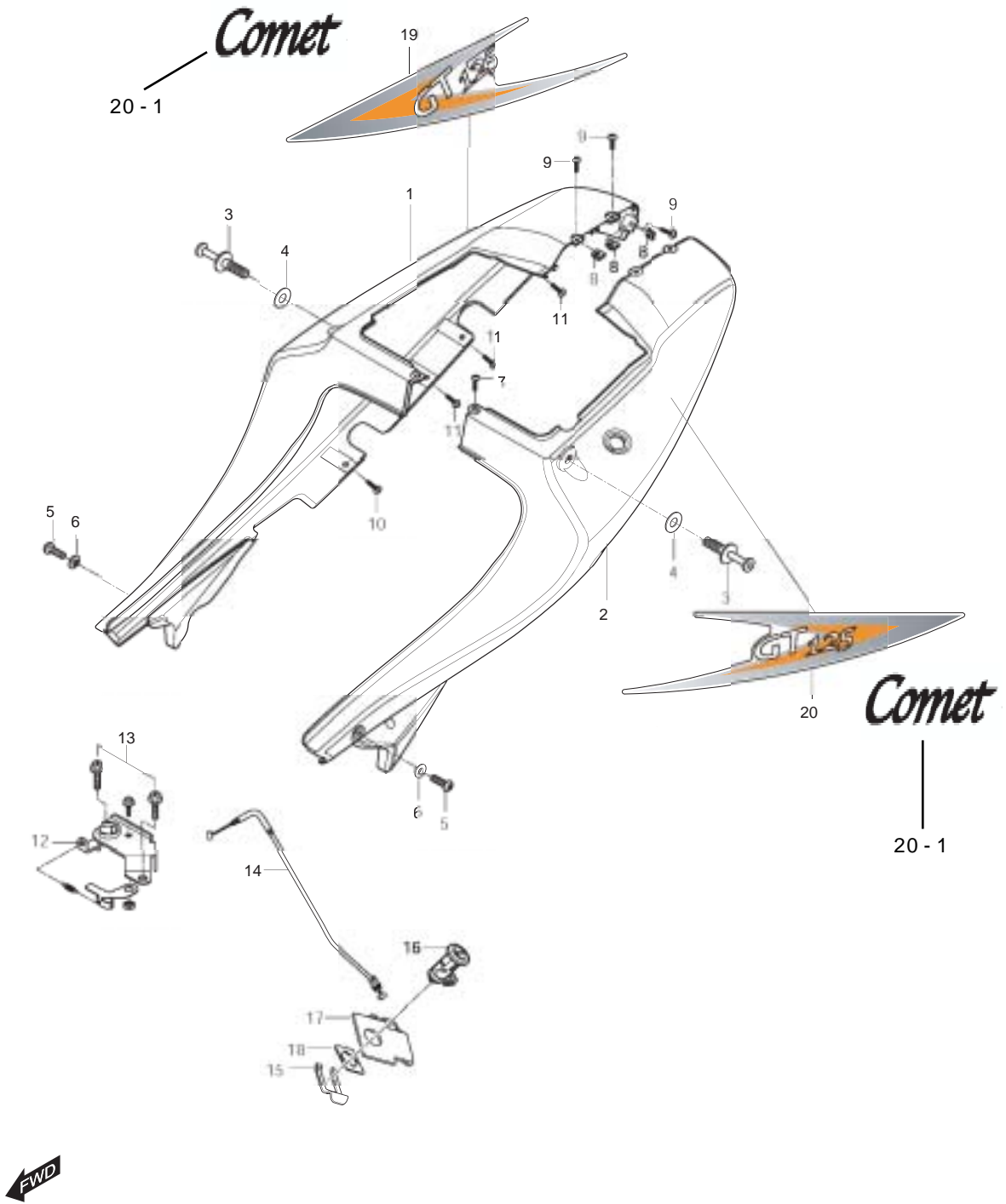


FIG 33. SIDE COVER

REF.					PARTS NAME	Q'TY	REMARKS	
NO.	SEU01	SF01	SG01	SS01				REC. Q'TY
1	47111HS6500	47111HS6500	47111HS6500	47111HS6500	COVER, side R (0DB,0MB,0MO,0TR)	1		5
2	47211HS6500	47211HS6500	47211HS6500	47211HS6500	COVER, side L (0DB,0MB,0MO,0TR)	1		5
3	47113HM8101	47113HM8101	47113HM8101	47113HM8101	BOLT, luggage support	2		
3-1	47115HN9100	47115HN9100	47115HN9100	47115HN9100	CAP,luggage support bolt	2		
4	08322-11088	08322-11088	08322-11088	08322-11088	WASHER, luggage bolt & frm side	2		
5	02142-06165	02142-06165	02142-06165	02142-06165	SCREW, frm side front	2		
6	09169-06032	09169-06032	09169-06032	09169-06032	WASHER, frm side front	2		
7	02142-06166	02142-06166	02142-06166	02142-06166	SCREW, frm side center	1		
8	09148-05004	09148-05004	09148-05004	09148-05004	NUT, frm side rear up	3		
9	02142-05125	02142-05125	02142-05125	02142-05125	SCREW, frm side rear up	3		
10	02142-06206	02142-06206	02142-06206	02142-06206	SCREW, frm side low & frm	2		
11	02142-05165	02142-05165	02142-05165	02142-05165	SCREW, frm side low & rear fender	6		
12	45220HM8101	45220HM8101	45220HM8101	45220HM8101	LOCK ASS'Y, seat striker rear	1		
13	01517-06128	01517-06128	01517-06128	01517-06128	BOLT, seat striker(M6X16)	2		40
14	45280-35C00	45280-35C00	45280-35C00	45280-35C00	CABLE ASS'Y, seat lock	1		
15	92414HF4500	92414HF4500	92414HF4500	92414HF4500	LOCK, key set	1		
16	45700HG2610	45700HG2610	45700HG2610	45700HG2610	LOCK ASS'Y, seat	1		
17	45381HG2601	45381HG2601	45381HG2601	45381HG2601	GUIDE, seat lock cable	1		
18	92413HF4501	92413HF4501	92413HF4501	92413HF4501	WASHER, side cover	1		
19	68130HS6500015	68130HS6500015	68130HS6500015	68130HS6500015	EMB,COMET(0DB)	2		
	68130HS6500120	68130HS6500120	68130HS6500120	68130HS6500120	EMB,COMET(0MO,0TR)	2		
	68130HS650003P	68130HS650003P	68130HS650003P	68130HS650003P	EMB,COMET(0MB)	2		

FIG 34

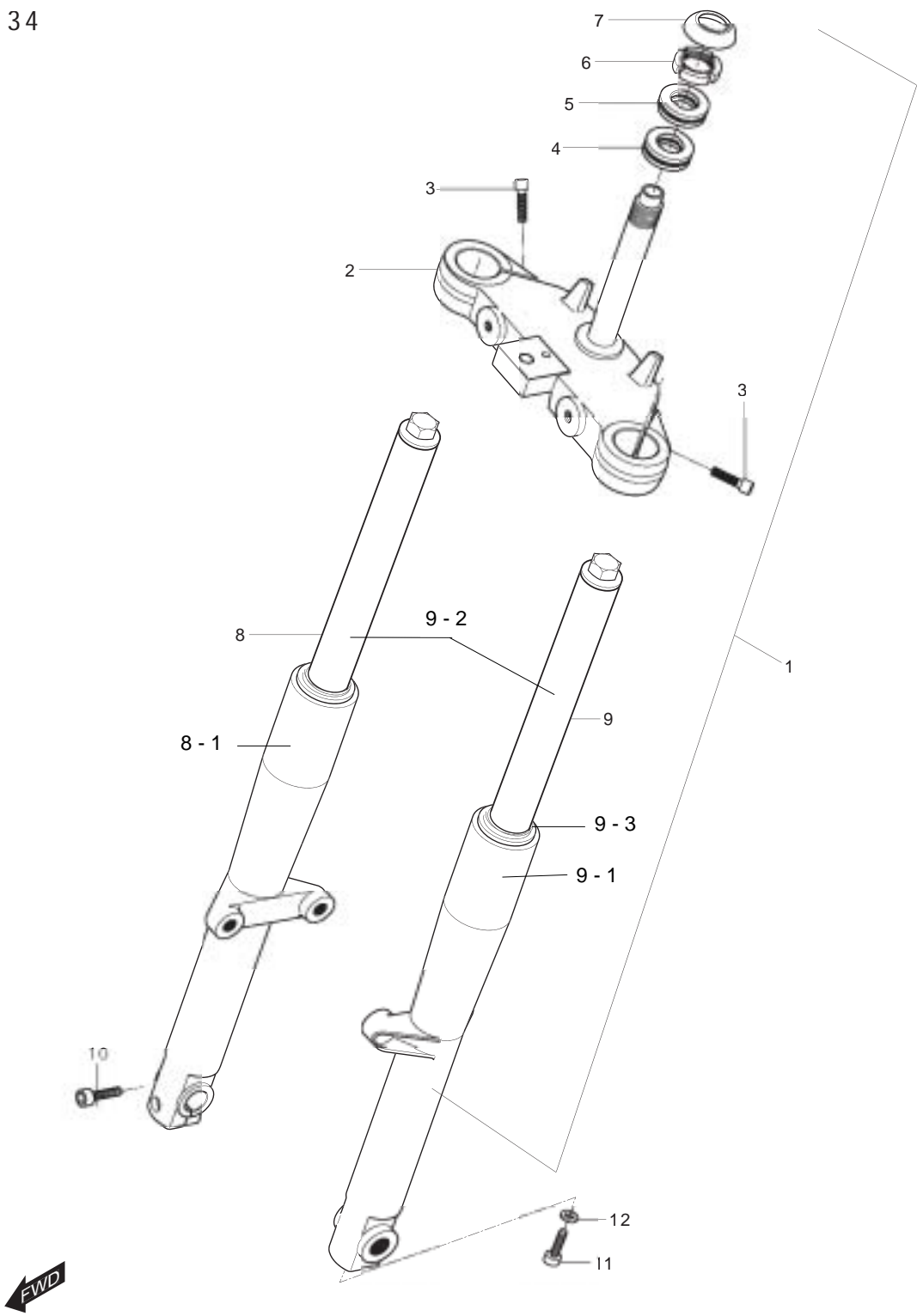


FIG 34. FRONT FORK

REF.					PARTS NAME	Q`TY	REMARKS	
NO.	SEU01	SF01	SG01	SS01				REC. Q`TY
1	51100HM7900HPA	51100HM7900HPA	51100HM7900HPA	51100HM7900HPA	FORK ASS`Y, front	1		
2	51410HM7900	51410HM7900	51410HM7900	51410HM7900	BRACKET COMP, front fork under	1		5
3	07110-08258	07110-08258	07110-08258	07110-08258	BOLT, front fork under bracket	2		
4	09265H25001	09265H25001	09265H25001	09265H25001	BEARING, steering lower	1		
5	09265H28001	09265H28001	09265H28001	09265H28001	BEARING, steering stem	1		
6	51643HG5801	51643HG5801	51643HG5801	51643HG5801	DUST SEAL, steering upper	1		10
7	51631-28000	51631-28000	51631-28000	51631-28000	NUT, steering stem	1		
8	51210HM7900	51210HM7900	51210HM7900	51210HM7900	DAMPER ASS`Y, front fork R	1		5
8-1	51420HJ8200	51420HJ8200	51420HJ8200	51420HJ8200	CASE BOTTOM R	1		
9	51220HM7900	51220HM7900	51220HM7900	51220HM7900	DAMPER ASS`Y, front fork L	1		5
9-1	51520HM7900	51520HM7900	51520HM7900	51520HM7900	CASE BOTTOM L	1		
9-2	51110-M7900	51110-M7900	51110-M7900	51110-M7900	FORK,pipe	2		
9-3	51240-G5100	51240-G5100	51240-G5100	51240-G5100	FORK,oil seal	2		
10	07110-08358	07110-08358	07110-08358	07110-08358	BOLT(M8*35)	1		
11	07110-08258	07110-08258	07110-08258	07110-08258	BOLT	1		
12	90544H93B00	90544H93B00	90544H93B00	90544H93B00	WASHER	2		

FIG 35

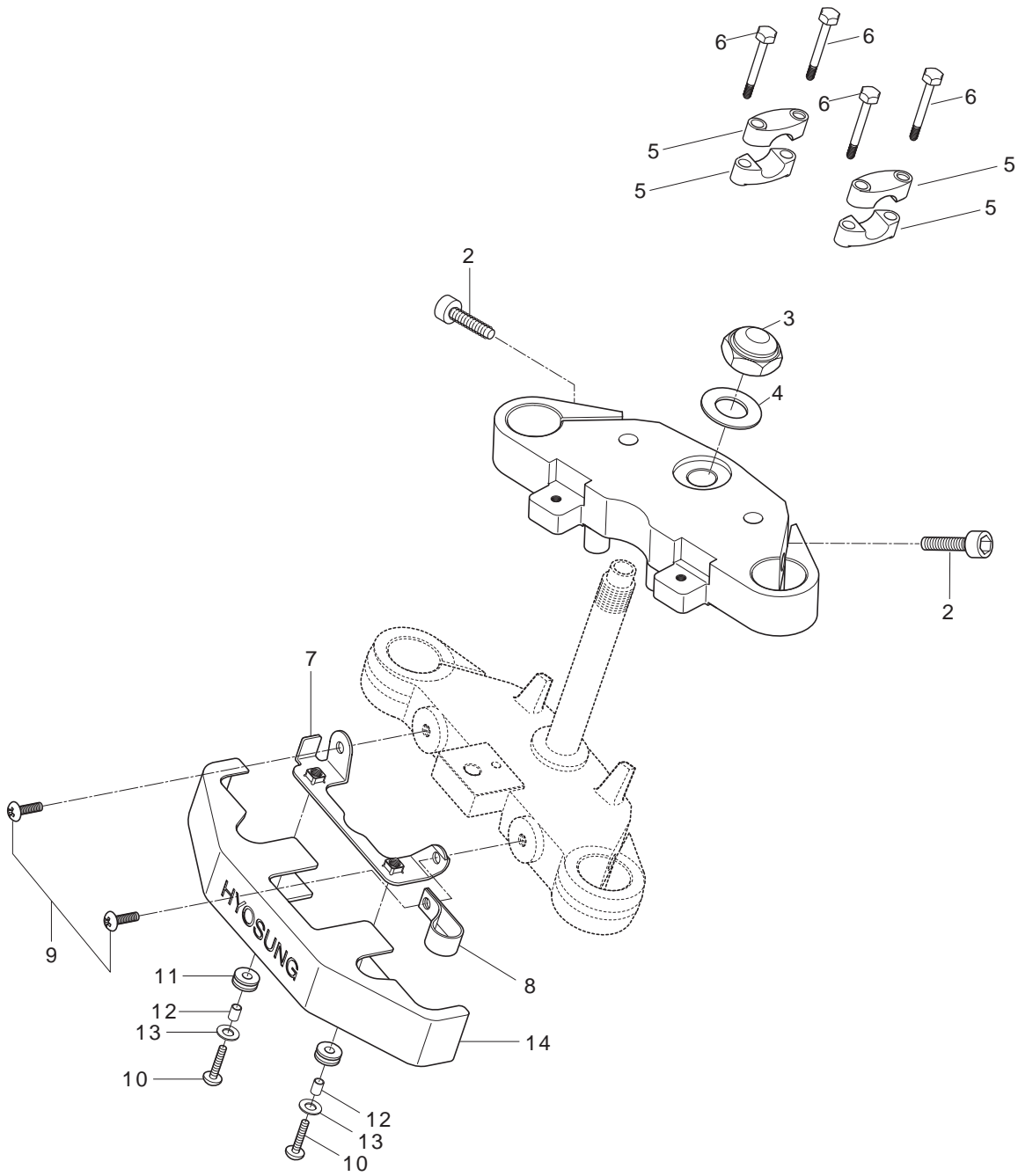


FIG 35. STEERING HEAD

REF.					PARTS NAME	Q`TY	REMARKS	
NO.	SEU01	SF01	SG01	SS01				REC. Q'TY
1	51311HM790103P	51311HM790103P	51311HM790103P	51311HM790103P	BRACKET, front fork upper	1		5
2	07110-08258	07110-08258	07110-08258	07110-08258	BOLT, front fork upper bracket	4		
3	09159H22002	09159H22002	09159H22002	09159H22002	NUT, str upper	1		
4	09160H22032	09160H22032	09160H22032	09160H22032	WASHER, str upper	1		
5	56211-35C00	56211-35C00	56211-35C00	56211-35C00	HOLDER, handle bar	4		
6	01517-08608	01517-08608	01517-08608	01517-08608	BOLT, handle holder	4		
7	51760HG5102	51760HG5102	51760HG5102	51760HG5102	GUIDE,under braket & cable	1		
8	09403-14404	09403-14404	09403-14404	09403-14404	CLAMP,brake cable no2	1		
9	02142-06126	02142-06126	02142-06126	02142-06126	SCREW,up cable guide no1	2		
10	09136-06022	09136-06022	09136-06022	09136-06022	SCREW,under bkt cov	2		
11	09320-09016	09320-09016	09320-09016	09320-09016	CUSHION,under bkt cov	2		
12	09180-06011	09180-06011	09180-06011	09180-06011	SPACER,under bkt cov	2		
13	09169H06016	09169H06016	09169H06016	09169H06016	WASHER	2		
14	51711HG5102	51711HG5102	51711HG5102	51711HG5102	COV,under bkt	1		

FIG 36

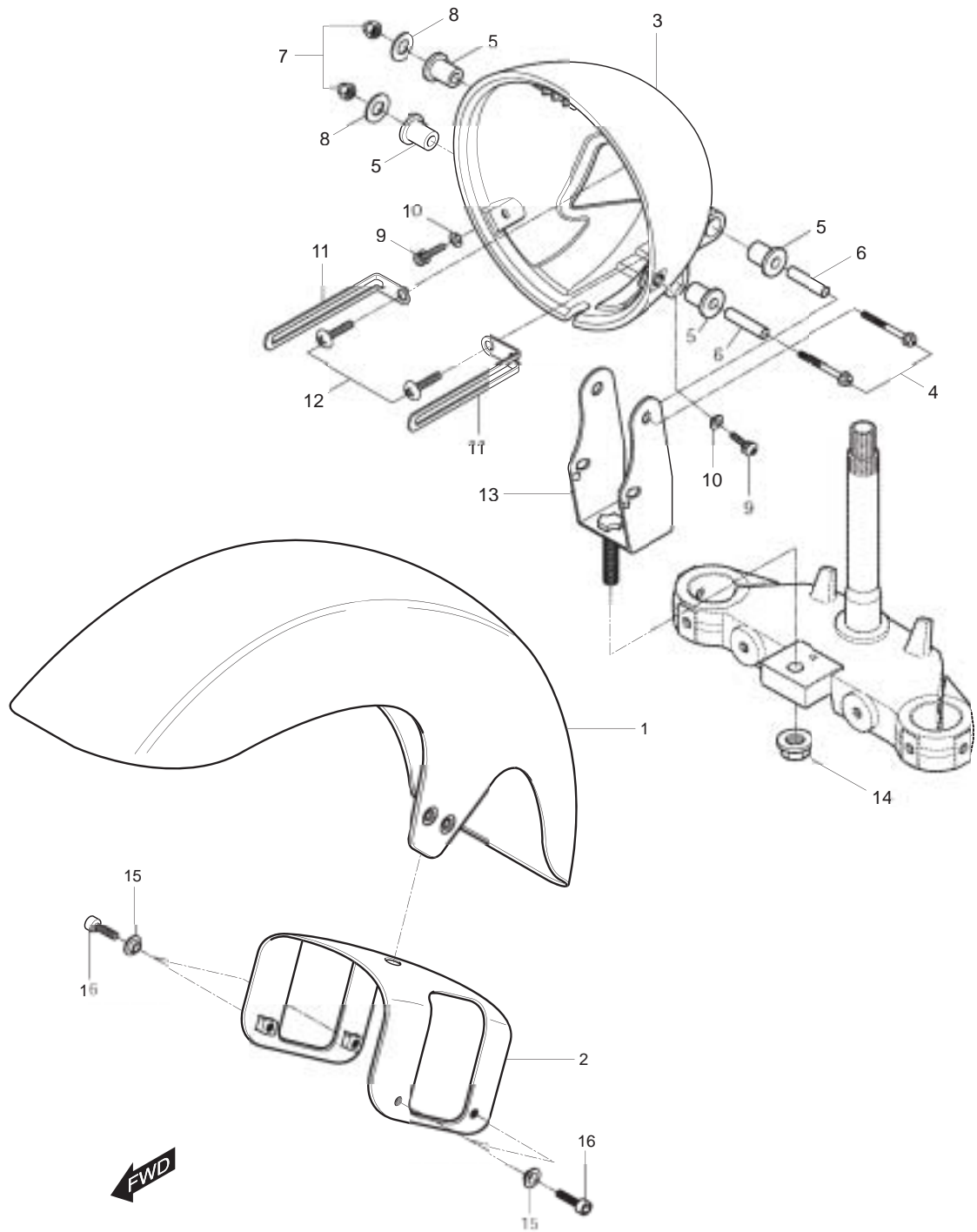


FIG 36. FRONT FENDER

REF.					PARTS NAME	Q'TY	REMARKS	
NO.	SEU01	SF01	SG01	SS01				REC. Q'TY
1	53111HM7900	53111HM7900	53111HM7900	53111HM7900	FENDER, front(color) 0MB,0MO,0TR	1		5
2	53211HM7900	53211HM7900	53211HM7900	53211HM7900	BRACE, front fender	1		
3	51811HM5450PAM	51811HM5450PAM	51811HM5450PAM	51811HM5450PAM	HOUSING, head lamp	1		10
4	09103H06013	09103H06013	09103H06013	09103H06013	BOLT, headlamp housing & bracket (M6× 4)	2		
5	09320H09017	09320H09017	09320H09017	09320H09017	CUSHION, headlamp housing & brkt	4		
6	09180H06034	09180H06034	09180H06034	09180H06034	SPACER, headlamp housing & brkt	2		
7	08313-11066	08313-11066	08313-11066	08313-11066	NUT, headlamp housing & bracket (M6)	2		
8	09160-06057	09160-06057	09160-06057	09160-06057	WASHER, headlamp housing & brkt	2		
9	02112-95208	02112-95208	02112-95208	02112-95208	SCREW, housing & headlamp (M5×16)	3		
10	09169-05008	09169-05008	09169-05008	09169-05008	WASHER, housing & headlamp	2		
11	09404-06405	09404-06405	09404-06405	09404-06405	CLAMP, headlamp housing	2		
12	03241-05106	03241-05106	03241-05106	03241-05106	SCREW, headlamp housing clamp (M5×10)	2		
13	51820HM7900	51820HM7900	51820HM7900	51820HM7900	BRACKET COMP, headlamp housing	1		
14	08319-31106	08319-31106	08319-31106	08319-31106	NUT, housing brkt & under bracket (M10)	1		
15	09169-06032	09169-06032	09169-06032	09169-06032	WASHER, front fender	4		
16	02142-06166	02142-06166	02142-06166	02142-06166	BOLT, front fender	4		

FIG 37

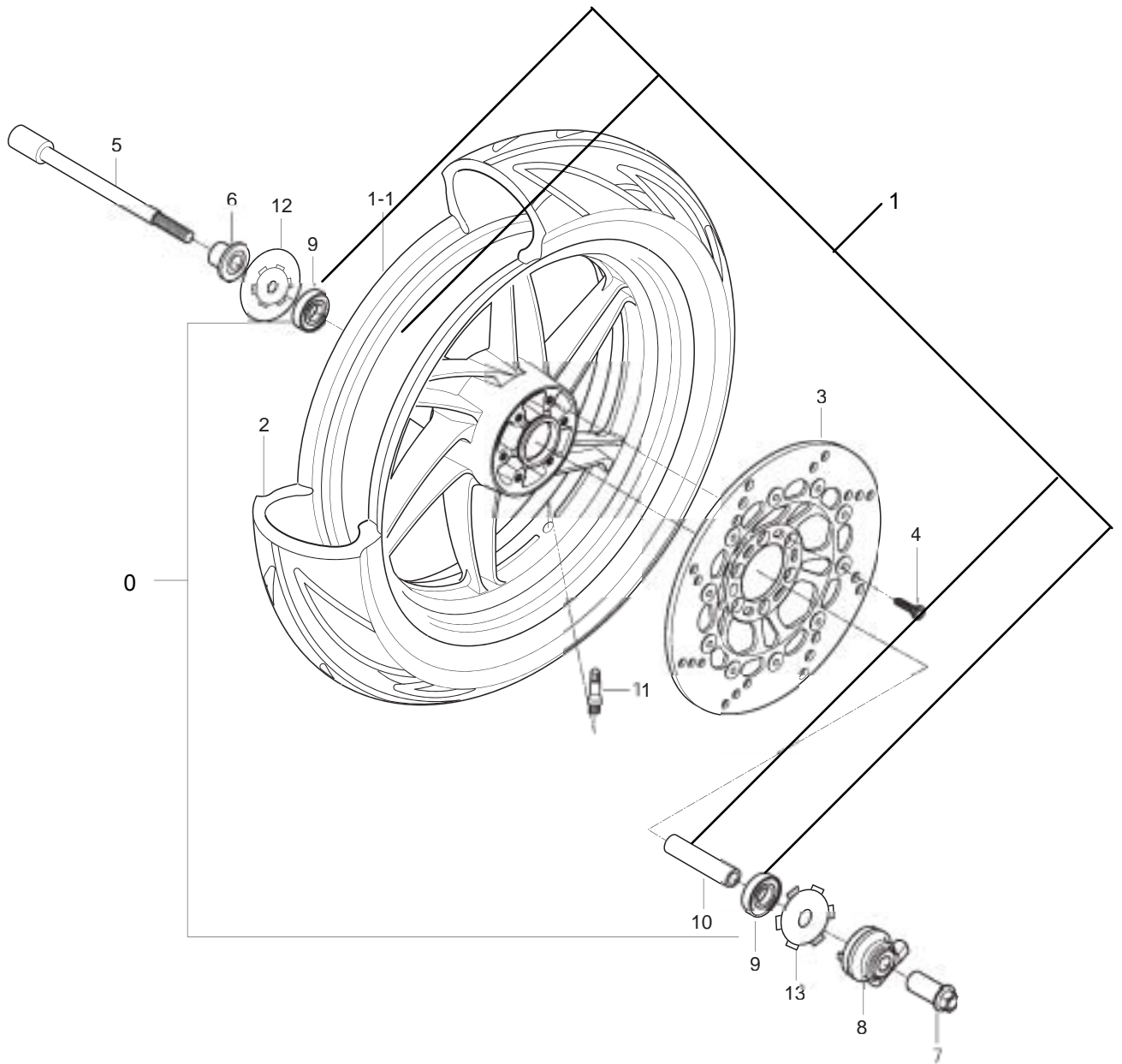


FIG 37. FRONT WHEEL

REF.	PARTS NAME				Q'TY	REMARKS	REC. Q'TY
NO.	SEU01	SF01	SG01	SS01			
1-1	54140SM8102120	54140SM8102120	54140SM8102120	54140SM8102120	WHEEL + BEARING		
1-2	54141HM8102120	54141HM8102120	54141HM8102120	54141HM8102120	WHEEL, front(J17×MT3.0)(Black)		
2	55101HM8100	55101HM8100	55101HM8100	55101HM8100	TIRE COMP, front(110/70-17 54H)		5
3	59211HM8101	59211HM8101	59211HM8101	59211HM8101	DISC, front brake		
4	59421-03A01	59421-03A01	59421-03A01	59421-03A01	BOLT, front brake disc		
5	54711HG5101	54711HG5101	54711HG5101	54711HG5101	AXLE, front		
6	54750HG5100	54750HG5100	54750HG5100	54750HG5100	SPACER COMP, front axle L		
7	54721HM8100	54721HM8100	54721HM8100	54721HM8100	NUT, front axle	NOT SALE	
8	54600HG5102	54600HG5102	54600HG5102	54600HG5102	BOX ASS'Y, speedometer gear		10
9	08124-63027	08124-63027	08124-63027	08124-63027	BEARING, front hub		
10	54731HM8100	54731HM8100	54731HM8100	54731HM8100	SPACER, front hub		
11	55220-41D10	55220-41D10	55220-41D10	55220-41D10	VALVE ASS'Y, wheel rim		
12	54890HM8100	54890HM8100	54890HM8100	54890HM8100	COVER, front wheel		
13	54690HM8101	54690HM8101	54690HM8101	54690HM8101	COVER, speedometer gear box		

FIG 38

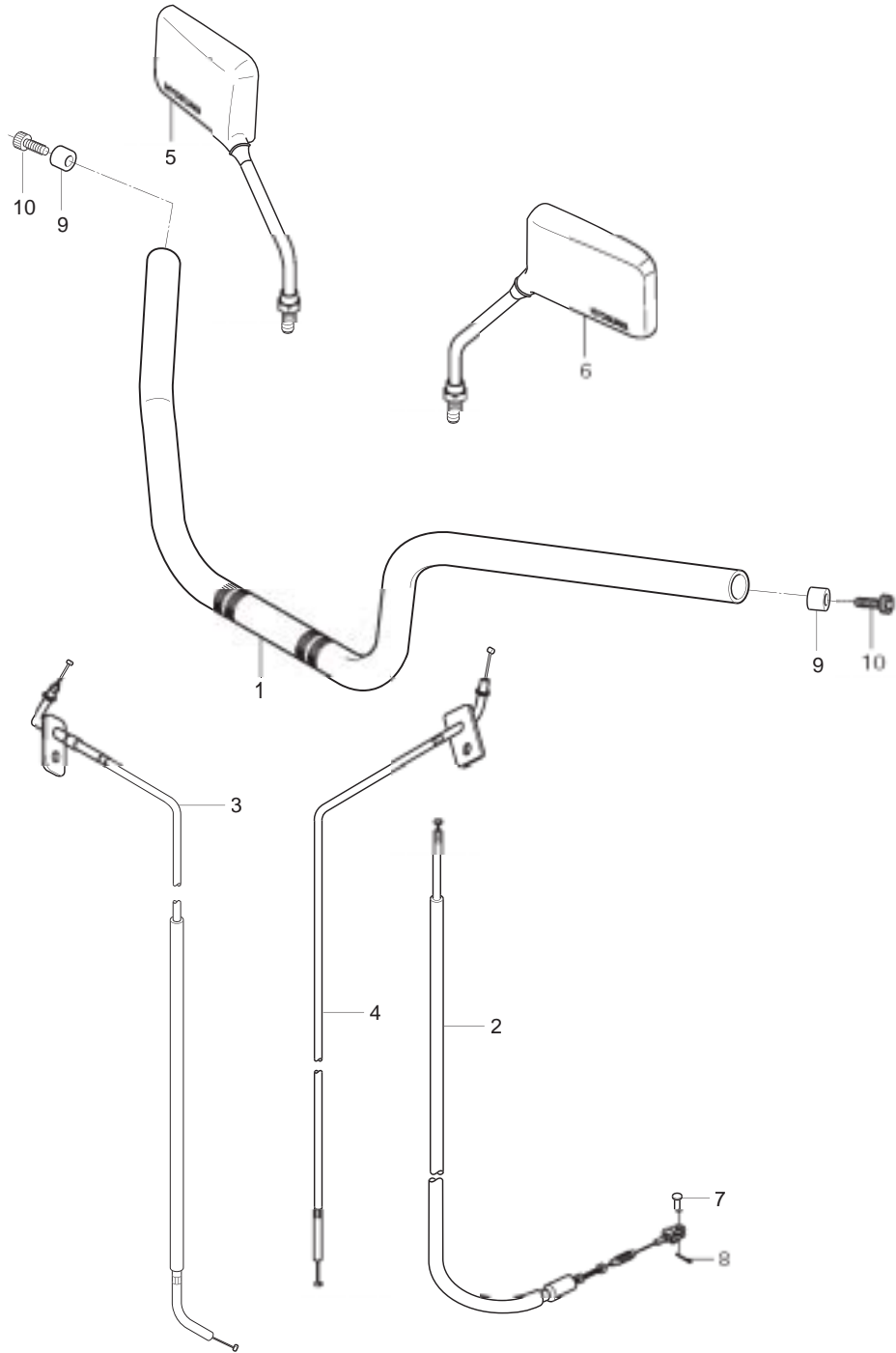
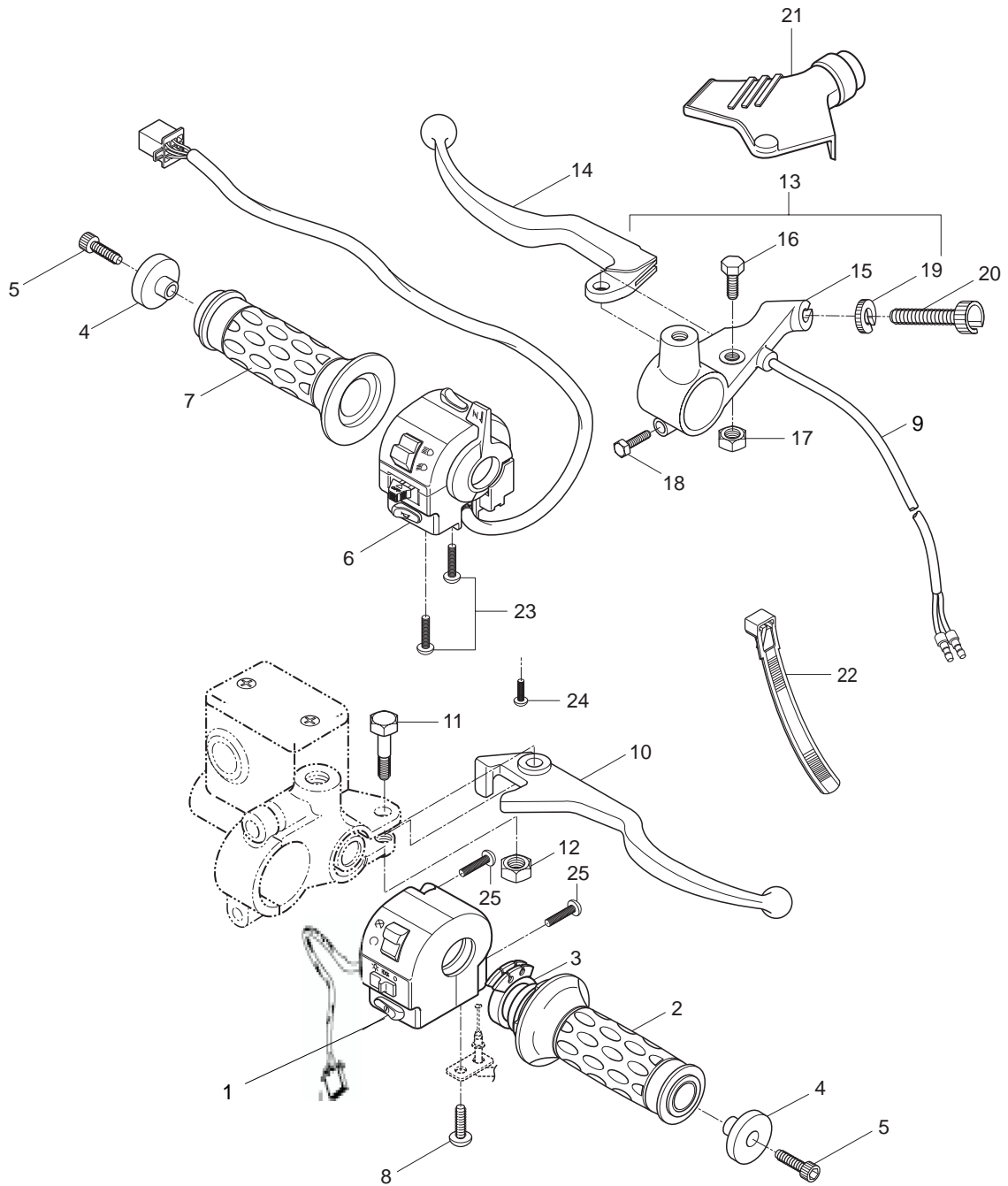


FIG 38. HANDLE BAR

REF.					PARTS NAME	Q`TY	REMARKS	
NO.	SEU01	SF01	SG01	SS01				REC. Q`TY
1	56110HM8103	56110HM8103	56110HM8103	56110HM8103	HANDLE BAR COMP	1		5
2	58200HM8101	58200HM8101	58200HM8101	58200HM8101	CABLE ASS`Y CLUTCH	1		
3	58300HM8102	58300HM8102	58300HM8102	58300HM8102	CABLE ASS`Y, throttle	1		
4	58410HM8102	58410HM8102	58410HM8102	58410HM8102	CABLE COMP, starter	1		
5	56500HM5450	56500HM5450	56500HM5450	56500HM5450	MIRROR ASS`Y, rear view R	1		10
6	56600HM5450	56600HM5450	56600HM5450	56600HM5450	MIRROR ASS`Y, rear view L	1		10
6-1	56501HM5450	56501HM5450	56501HM5450	56501HM5450	MIRROR SET ASS`Y			
7	09200-06004	09200-06004	09200-06004	09200-06004	PIN, clutch cable	1		
8	04111-20158	04111-20158	04111-20158	04111-20158	COTTER PIN, clutch	1		
9	56271HF4501PLA	56271HF4501PLA	56271HF4501PLA	56271HF4501PLA	BALANCER, handle bar	2		
10	07110-08208	07110-08208	07110-08208	07110-08208	BOLT, handle bar balance	2		

FIG 39



FWD

FIG 39. HANDLE SWITCH

REF.					PARTS NAME	Q'TY	REMARKS	
NO.	SEU01	SF01	SG01	SS01				REC. Q'TY
1	37200HM8150	37200HM8150	37200HM8150	37200HM8150	SWITCH ASS`Y, handle R	1		10
2	57110HG5803	57110HG5803	57110HG5803	57110HG5803	GRIP COMP, throttle	1		5
3	57113H93B00	57113H93B00	57113H93B00	57113H93B00	COVER, throttle grip	1	NOT SALE	
4	56271HF4501PLA	56271HF4501PLA	56271HF4501PLA	56271HF4501PLA	BALANCER	2		
5	07110-08208	07110-08208	07110-08208	07110-08208	BOLT, handle balancer	2		
6	37400HM8100	37400HM8100	37400HM8100	37400HM8100	SWITCH ASS`Y, handle L	1		10
7	57211HG5800	57211HG5800	57211HG5800	57211HG5800	GRIP COMP, L	1		5
8	02112-05105	02112-05105	02112-05105	02112-05105	SCREW, throttle cable	1		
9	57460HJ8250	57460HJ8250	57460HJ8250	57460HJ8250	SWITCH ASS`Y, clutch	1	NOT SALE	
10	57421-13001	57421-13001	57421-13001	57421-13001	LEVER, brake	1		5
11	57431H05D00	57431H05D00	57431H05D00	57431H05D00	BOLT, brake lever pivot	1		
12	08319-21065	08319-21065	08319-21065	08319-21065	NUT, brake lever pivot	1		
13	57500HM8121	57500HM8121	57500HM8121	57500HM8121	LEVER ASS`Y, clutch (black)	1		
14	57620HG5800	57620HG5800	57620HG5800	57620HG5800	CLUTCH LEVER	1		
15	57511HG5800	57511HG5800	57511HG5800	57511HG5800	HOLDER, clutch lever	1		
16	57431H05D00	57431H05D00	57431H05D00	57431H05D00	BOLT , clutch lever pivot	1		
17	08319-21065	08319-21065	08319-21065	08319-21065	NUT, brake lever pivot	1		
18	57451HG5800	57451HG5800	57451HG5800	57451HG5800	BOLT, clutch lever holder	1		
19	57442H93B00	57442H93B00	57442H93B00	57442H93B00	LOCK NUT	1		
20	57441H93B00	57441H93B00	57441H93B00	57441H93B00	ADJUSTER, wire	1		
21	57661HJ8200	57661HJ8200	57661HJ8200	57661HJ8200	COVER, clutch lever	1		
22	09407-14403	09407-14403	09407-14403	09407-14403	CLAMP, handle switch harness	2		
23	02112-05455	02112-05455	02112-05455	02112-05455	SCREW, h/switch LH	2		
24	02112-05105	02112-05105	02112-05105	02112-05105	SCREW, choke cable	1		
25	02112-05205	02112-05205	02112-05205	02112-05205	SCREW, H/switch RH	2		

FIG 40

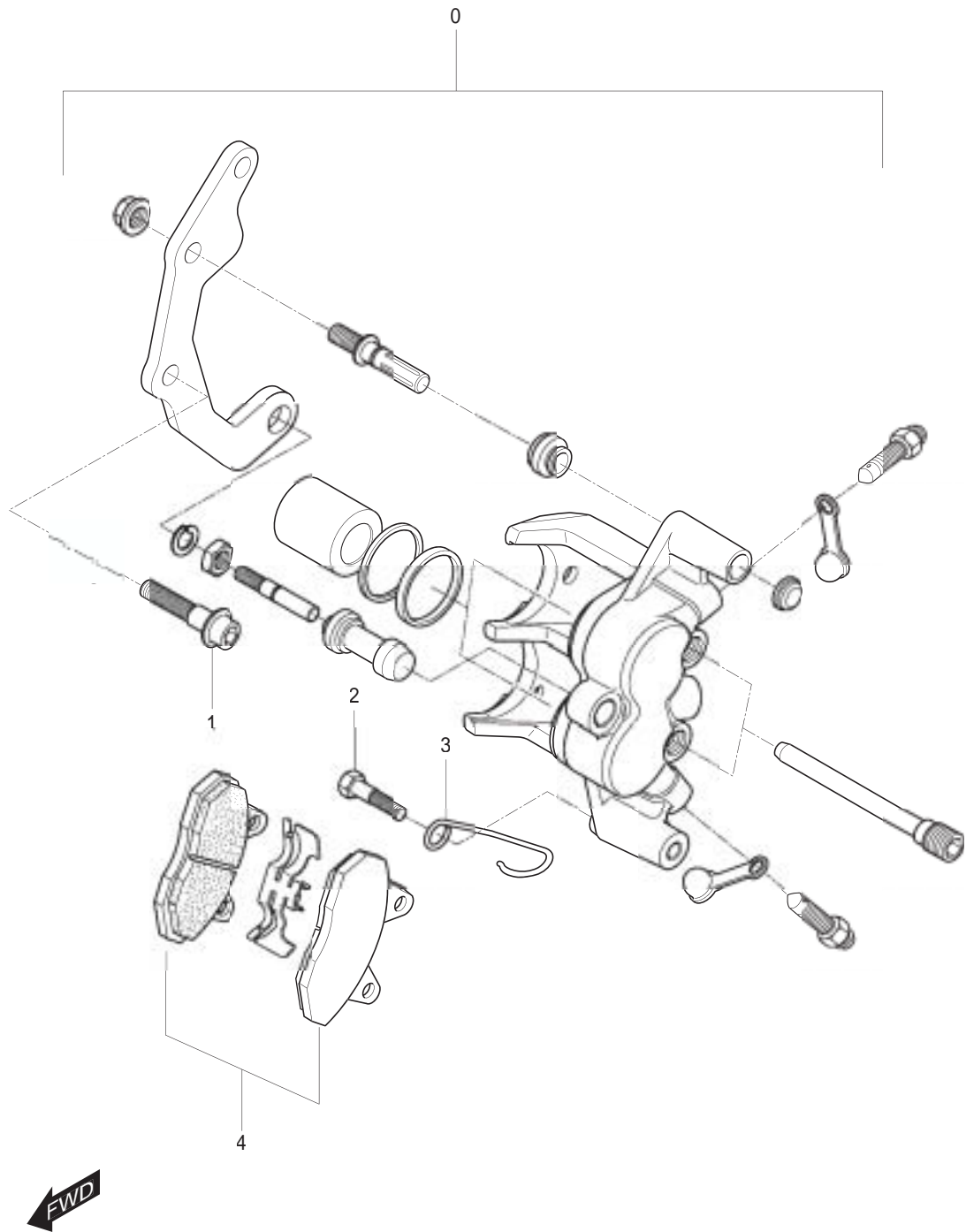


FIG 40. CALIPER

REF.					PARTS NAME	Q`TY	REMARKS	
NO.	SEU01	SF01	SG01	SS01				REC. Q`TY
0	59300HM7903	59300HM7903	59300HM7903	59300HM7903	CALIPER ASS`Y, L	1		5
1	07120-08308	07120-08308	07120-08308	07120-08308	BOLT, caliper	2		
2	01514-06106	01514-06106	01514-06106	01514-06106	BOLT, speedometer cable guide	1		
3	51418HM8101	51418HM8101	51418HM8101	51418HM8101	GUIDE, speedometer cable	1		
4	59301HP9500	59301HP9500	59301HP9500	59301HP9500	PAD SET(8.4t)	1		

FIG 41

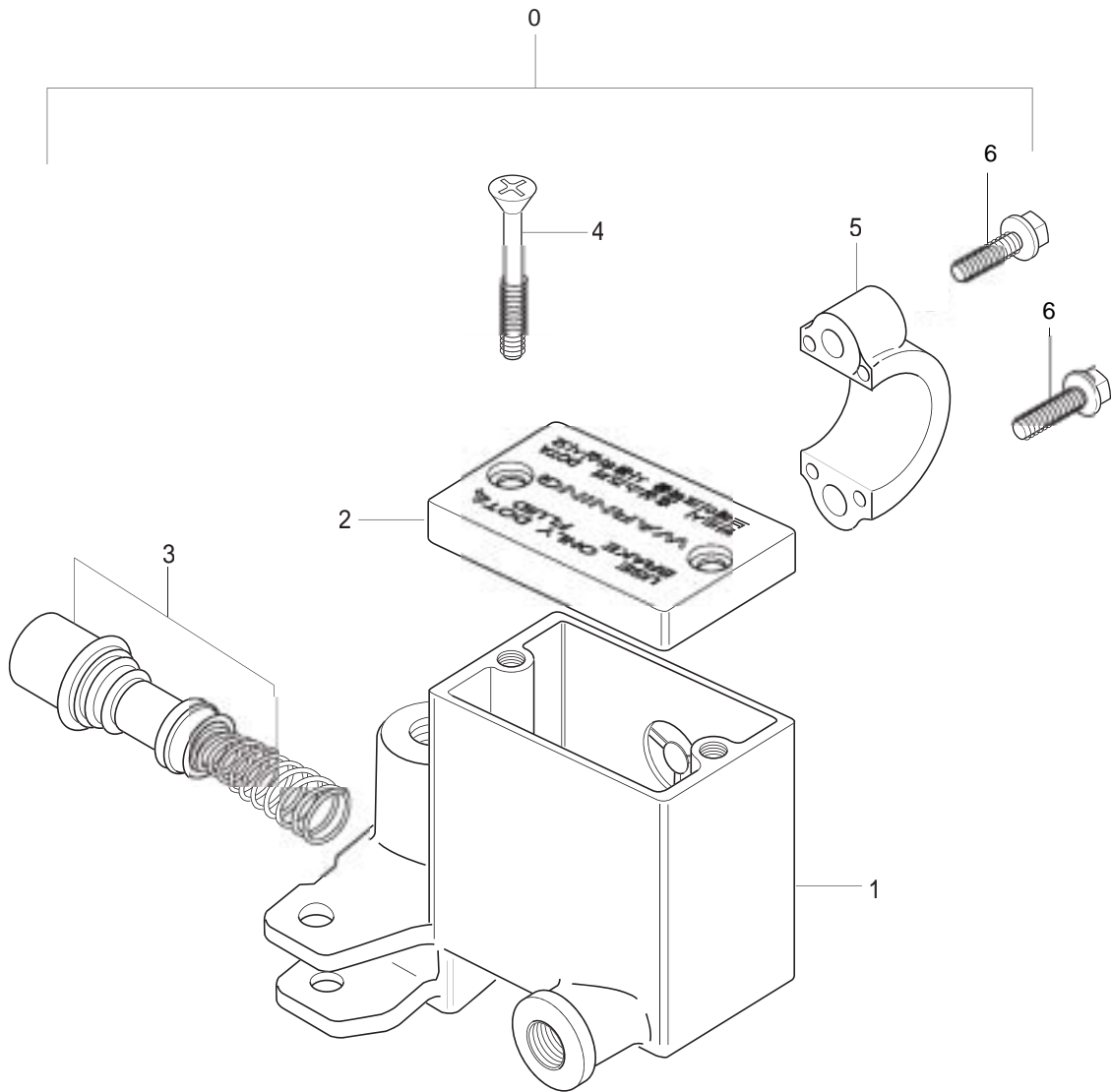
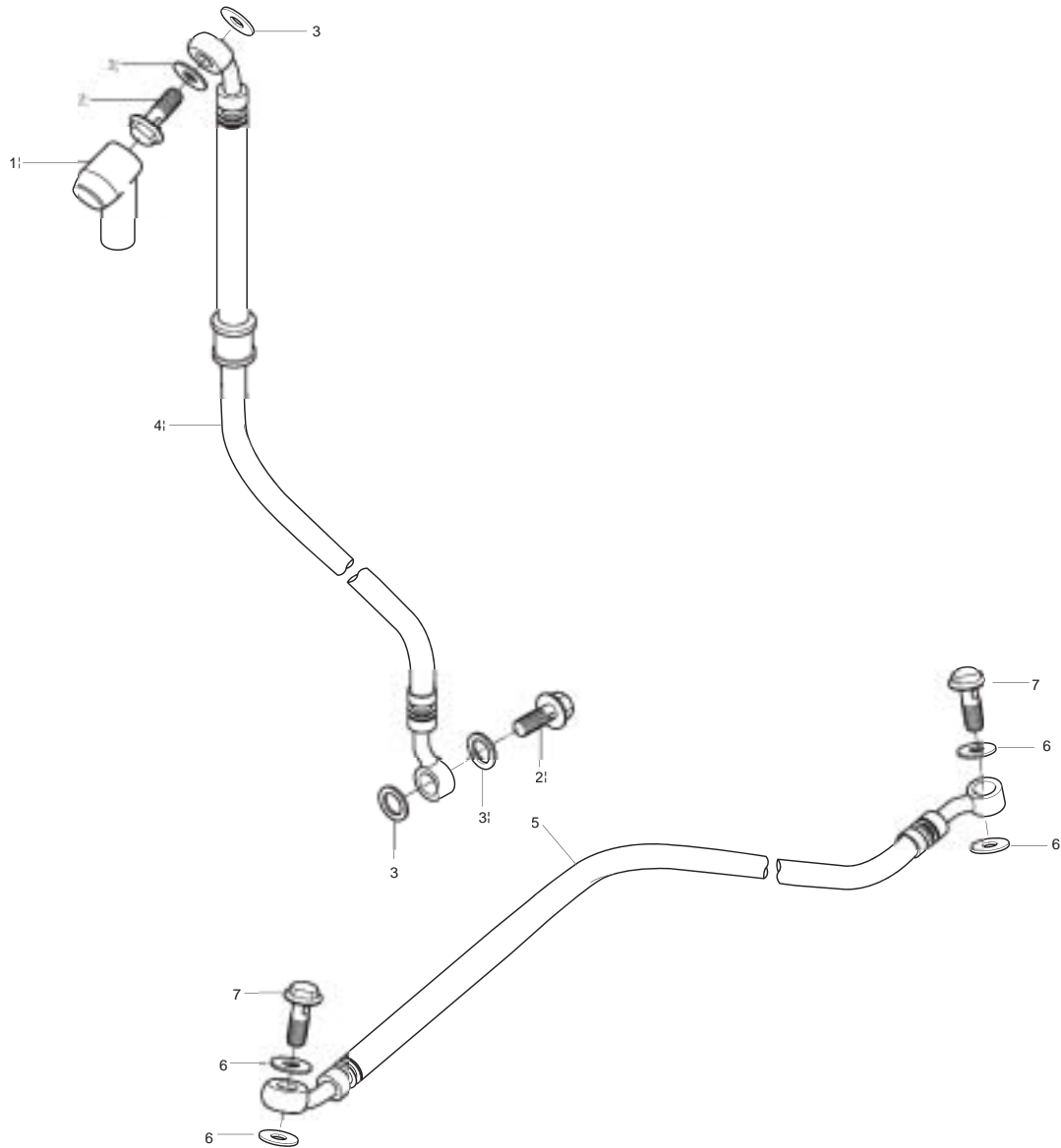


FIG 41. MASTER CYLINDER

REF.					PARTS NAME	Q`TY	REMARKS	
NO.	SEU01	SF01	SG01	SS01				REC. Q`TY
0	59600-35C03	59600-35C03	59600-35C03	59600-35C03	CYLINDER ASS`Y, front master	1		5
1	59687-35C00	59687-35C00	59687-35C00	59687-35C00	BODY	1	NOT SALE	
2	59669-36510	59669-36510	59669-36510	59669-36510	CAP, reservoir	1		
3	59600-36810	59600-36810	59600-36810	59600-36810	PISTON, SET	1		
4	59691-35C00	59691-35C00	59691-35C00	59691-35C00	SCREW	2		
5	59671-35C00	59671-35C00	59671-35C00	59671-35C00	HOLDER	1		
6	01107-35C00	01107-35C00	01107-35C00	01107-35C00	BOLT,holder master	2		

FIG 42



8. Clamp, BK Hose No1



FIG 42. FRONT BRAKE HOSE

REF.					PARTS NAME	Q`TY	REMARKS	
NO.	SEU01	SF01	SG01	SS01				REC. Q`TY
1	59711H49002	59711H49002	59711H49002	59711H49002	BOOT, brake hose	1		
2	09360-10039	09360-10039	09360-10039	09360-10039	BOLT, brake hose	2		20
3	09161-10005	09161-10005	09161-10005	09161-10005	WASHER, brake hose	4		32
4	59480HM7903	59480HM7903	59480HM7903	59480HM7903	HOSE COMP, front brake	1		5
5	69480HM8102	69480HM8102	69480HM8102	69480HM8102	HOSE COMP, rear brake	1		
6	09161-10005	09161-10005	09161-10005	09161-10005	WASHER, rear brake fluide	4		
7	09360-10039	09360-10039	09360-10039	09360-10039	BOLT, rear brake fluide	2		
8	59266HJ8200	59266HJ8200	59266HJ8200	59266HJ8200	CLAMP, FT BK Hose No1	1		

FIG 43

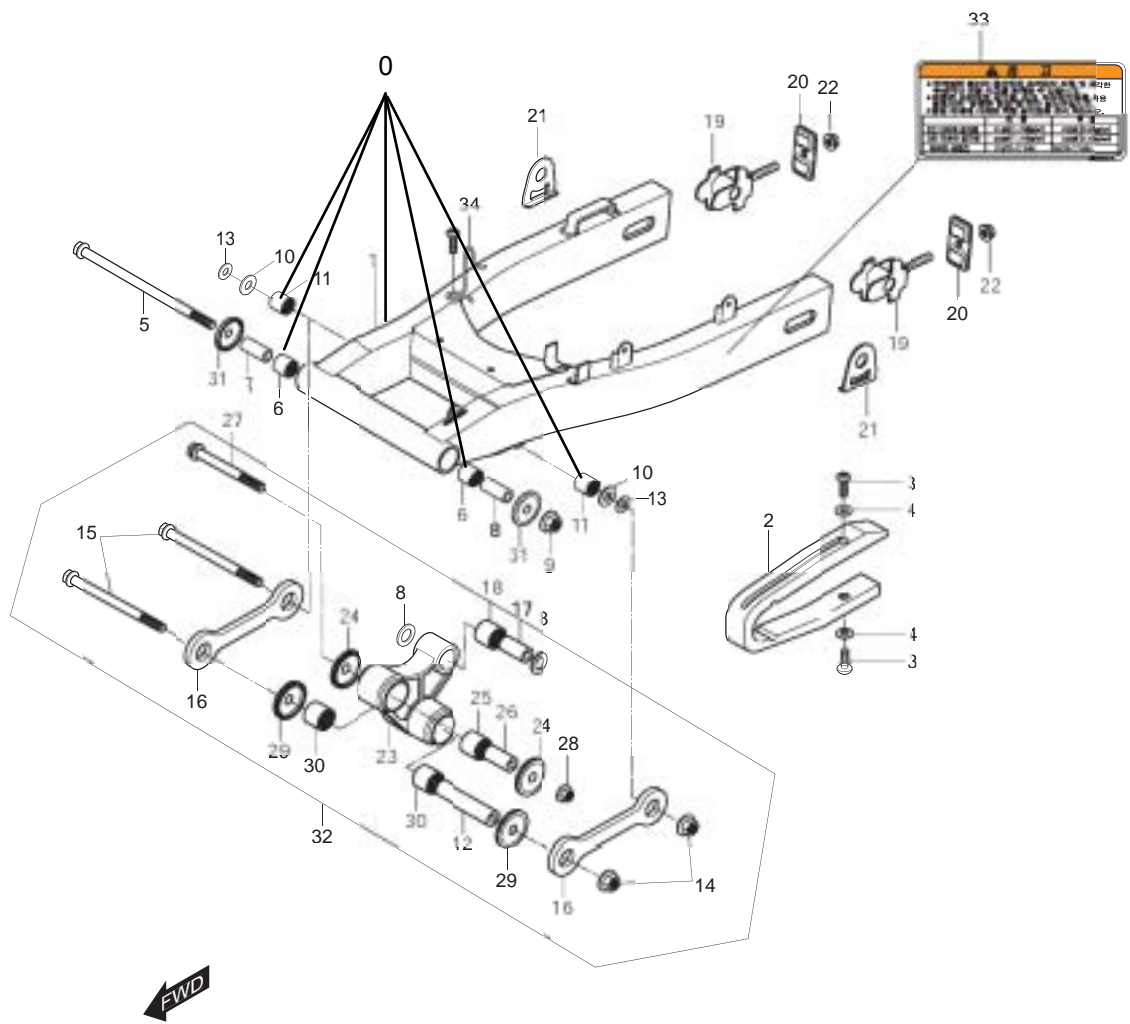


FIG 43. SWINGING ARM

REF.					PARTS NAME	Q'TY	REMARKS	
NO.	SEU01	SF01	SG01	SS01				REC. Q'TY
1	61100SM8105120	61100SM8105120	61100SM8105120	61100SM8105120	S/ARM + BEARING			
2	61273HM8101	61273HM8101	61273HM8101	61273HM8101	BUFFER, chain touch defense	1		5
3	02142-06166	02142-06166	02142-06166	02142-06166	BOLT, chain touch defense buffer	2		
4	09169H06011	09169H06011	09169H06011	09169H06011	WASHER, chain touch defense buffer	2		
5	61211HM8100	61211HM8100	61211HM8100	61211HM8100	SHAFT, rear swingarm pivot	1		5
6	09263-22017	09263-22017	09263-22017	09263-22017	BEARING, rear swingarm pivot	2		
7	61251HM8100	61251HM8100	61251HM8100	61251HM8100	SPACER, rear swingarm pivot bearing	2		
8	09284H32001	09284H32001	09284H32001	09284H32001	SEAL, rear cushion rod	2		
9	09159H14008	09159H14008	09159H14008	09159H14008	NUT, rear swingarm pivot	1		
10	09284H17001	09284H17001	09284H17001	09284H17001	SEAL, rear cushion rod	2		
11	09263H20003	09263H20003	09263H20003	09263H20003	BEARING, rear cushion rod	2		
12	09180H14001	09180H14001	09180H14001	09180H14001	SPACER, rear cushion rod	1		
13	09284H32001	09284H32001	09284H32001	09284H32001	SEAL, rear cushion rod	2		
14	09159H14008	09159H14008	09159H14008	09159H14008	NUT, rear cushion rod	2		
15	09103H14001	09103H14001	09103H14001	09103H14001	BOLT, rear cushion rod	2		
16	62641HM8100	62641HM8100	62641HM8100	62641HM8100	ROD, rear cushion lever	2		
17	09180H10073	09180H10073	09180H10073	09180H10073	SPACER, rear cushion lever rear	1		
18	09263H17002	09263H17002	09263H17002	09263H17002	BEARING, rear cushion lever rear	1		
19	61410HJ8200	61410HJ8200	61410HJ8200	61410HJ8200	ADJUSTER COMP, chain	2		
20	61421-01D00	61421-01D00	61421-01D00	61421-01D00	PLATE, chain adjuster guide	2		
21	64712HJ8201	64712HJ8201	64712HJ8201	64712HJ8201	WASHER, chain adjuster	2		
22	08319-31088	08319-31088	08319-31088	08319-31088	NUT, chain adjuster	2		
23	62611HG5800	62611HG5800	62611HG5800	62611HG5800	LEVER, rear cushion	1		
24	09284H33003	09284H33003	09284H33003	09284H33003	DUST SEAL, rear cushion lever front	2		
25	09263-20073	09263-20073	09263-20073	09263-20073	BEARING, rear cushion lever front	1		
26	09180H12001	09180H12001	09180H12001	09180H12001	SPACER, rear cushion lever front	2		
27	09103H12046	09103H12046	09103H12046	09103H12046	BOLT, rear cushion lever front	1		

FIG 43

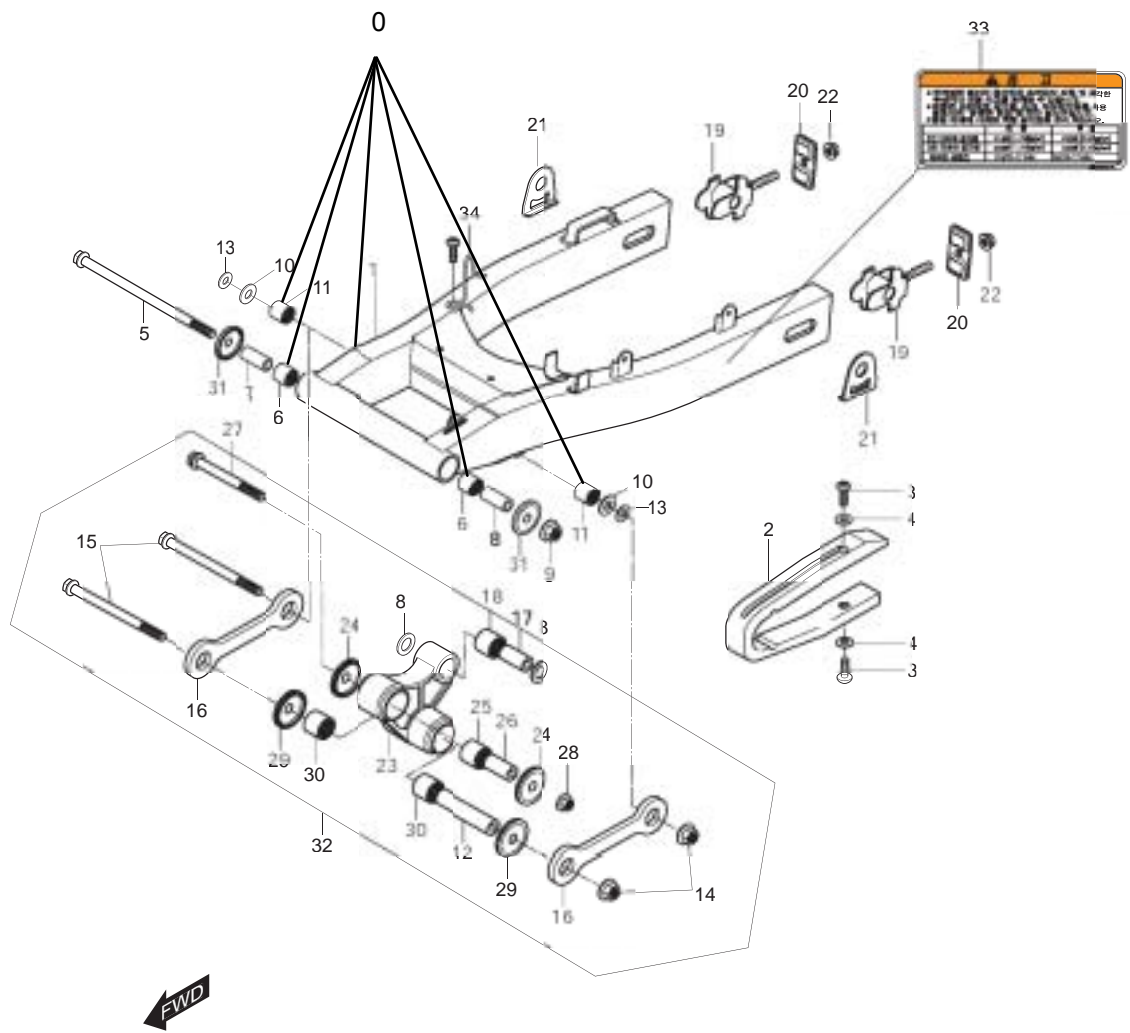


FIG 43. SWINGING ARM

REF.					PARTS NAME	Q`TY	REMARKS	
NO.	SEU01	SF01	SG01	SS01				REC. Q`TY
28	08319-31128	08319-31128	08319-31128	08319-31128	NUT, rear cushion lever front	1		
29	09284H32001	09284H32001	09284H32001	09284H32001	SEAL, rear cushion lever center	2		
30	09263H20003	09263H20003	09263H20003	09263H20003	BEARING, rear cushion lever center	2		
31	61262-45002	61262-45002	61262-45002	61262-45002	COVER, rear swingarm pivot	2		
32	62611HG5800HPA	62611HG5800HPA	62611HG5800HPA	62611HG5800HPA	LEVER ASSj-Y, rear cushion	1		
33	68320HM8150PL	68320HM8190PL	68320HM8160PL	68320HM8180PL	LABEL, chain case	1		10
34	61510HM8100	61510HM8100	61510HM8100	61510HM8100	GUIDE, rear brake hose No.1	1		

FIG 44

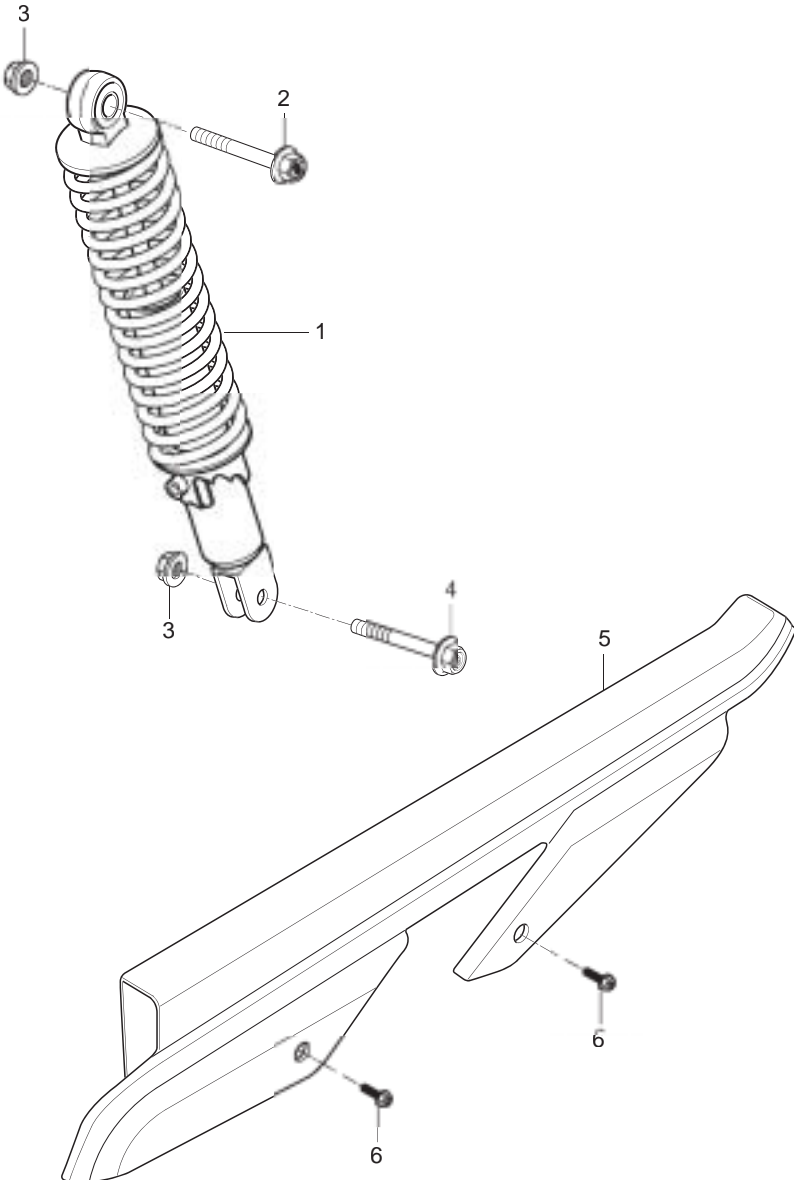


FIG 44. REAR SHOCK ABSORBER

REF.					PARTS NAME	Q`TY	REMARKS	
NO.	SEU01	SF01	SG01	SS01				REC. Q`TY
1	62100HM8102	62100HM8102	62100HM8102	62100HM8102	SHOCK ABSORBER ASS`Y, rear	1		10
2	09103H10230	09103H10230	09103H10230	09103H10230	BOLT, rear shock absorber upper	1		
3	08319-31108	08319-31108	08319-31108	08319-31108	NUT, rear shock absorber upper	2		
4	09103H10101	09103H10101	09103H10101	09103H10101	BOLT, rear shock absorber lower	1		
5	61310HM8101	61310HM8101	61310HM8101	61310HM8101	CASE COMP, chain	1		5
6	09111H06066	09111H06066	09111H06066	09111H06066	BOLT, chain case	2		

FIG 45

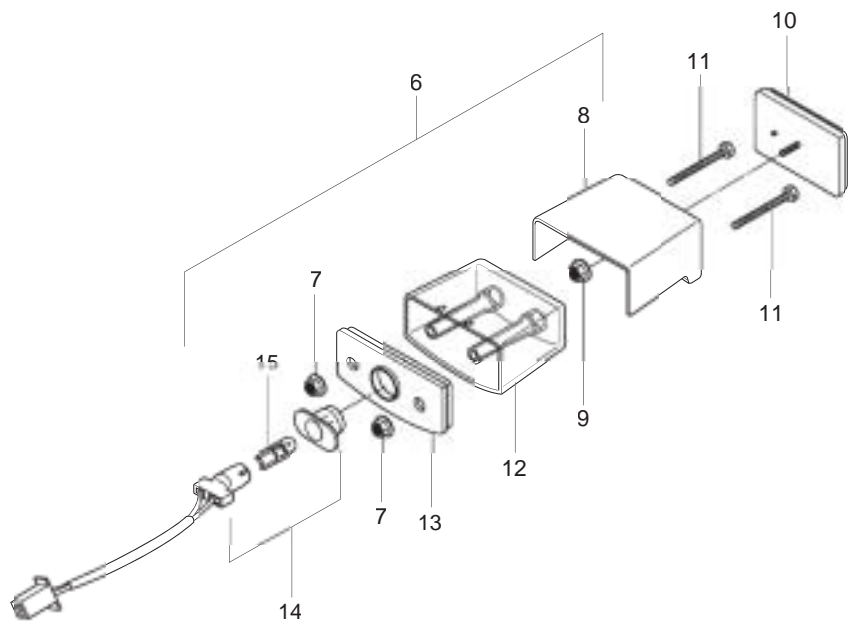
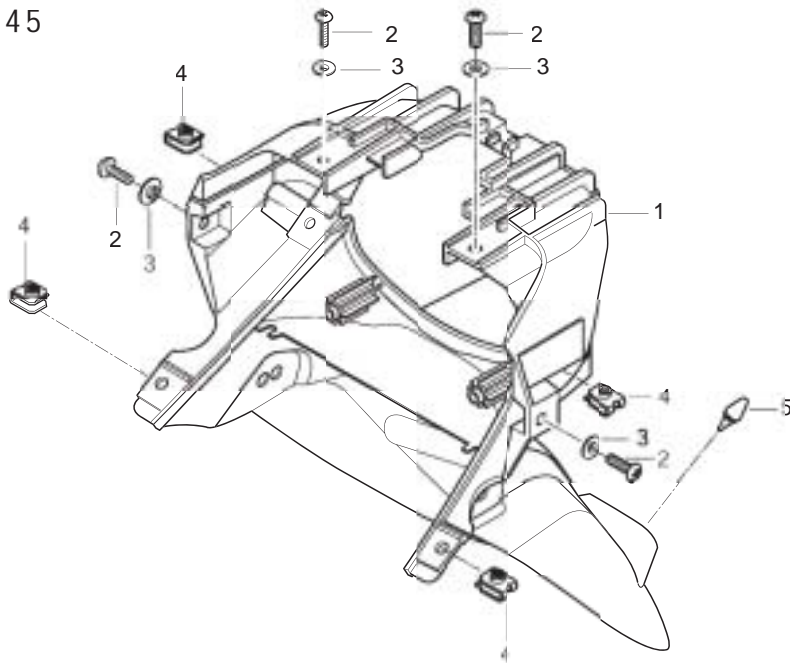


FIG 45. REAR FENDER

REF.					PARTS NAME	Q'TY	REMARKS	
NO.	SEU01	SF01	SG01	SS01				REC. Q'TY
1	63110HM8152HPA	63110HM8152HPA	63110HM8152HPA	63110HM8152HPA	FENDER, rear	1		10
2	02142-06166	02142-06166	02142-06166	02142-06166	SCREW, rr fender	4		
3	09169-06032	09169-06032	09169-06032	09169-06032	WASHER, rr fender	4		
4	09148-05039	09148-05039	09148-05039	09148-05039	NUT, rr fender	7		
5	09321-06023	09321-06023	09321-06023	09321-06023	CUSHION, license plate	2		
6	35910HG5150	35910HG5150	35910HG5150	35910HG5150	LAMP ASS'Y, license plate	1		
7	08316-26055	08316-26055	08316-26055	08316-26055	NUT, license lamp(M5)	2		
8	35915HL7300	35915HL7300	35915HL7300	35915HL7300	COVER, license lamp	1		
9	08316-26055	08316-26055	08316-26055	08316-26055	NUT, rear reflex reflector	1		
10	35970-17303	35970-17303	35970-17303	35970-17303	REFLEX REFLECTOR ASS'Y, rear	1		5
11	01107-05605	01107-05605	01107-05605	01107-05605	BOLT, license lamp	2		
12	35911HG5800	35911HG5800	35911HG5800	35911HG5800	LENS, license	1		
13	35912HG5800	35912HG5800	35912HG5800	35912HG5800	HOUSING, license	1		
14	35916HG5800	35916HG5800	35916HG5800	35916HG5800	CORD ASS'Y	1		
15	09471-12150	09471-12150	09471-12150	09471-12150	BULB, license lamp(12V/5W)	1		

FIG 46

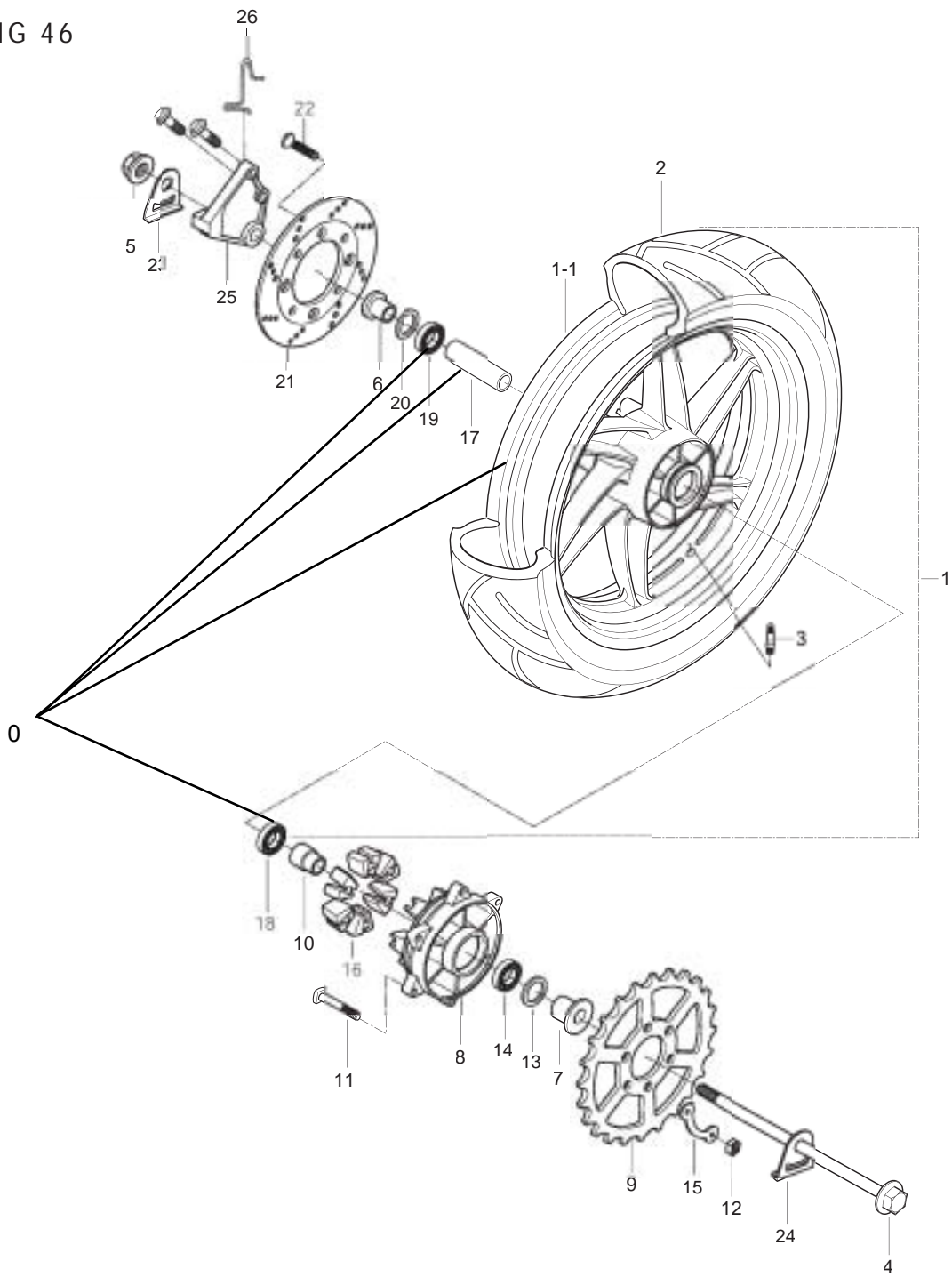


FIG 46. REAR WHEEL

REF.					PARTS NAME	Q'TY	REMARKS	
NO.	SEU01	SF01	SG01	SS01				REC. Q'TY
0	64150SM8103120	64150SM8103120	64150SM8103120	64150SM8103120	WHEEL + BEARING	1		
1	64150HM8103120	64150HM8103120	64150HM8103120	64150HM8103120	WHEEL COMP, rear(J17xMT4.00)			
2	65101HM8100	65101HM8100	65101HM8100	65101HM8100	TIRE COMP, rear(150/70-17 69H)	1		5
3	55220-41D10	55220-41D10	55220-41D10	55220-41D10	VALVE ASS`Y, wheel rim	1		
4	64711HM8101	64711HM8101	64711HM8101	64711HM8101	AXLE, rear	1		5
5	09159H16002	09159H16002	09159H16002	09159H16002	NUT, rear axle	1		
6	64741HM8100	64741HM8100	64741HM8100	64741HM8100	SPACER, rear axle R	1		
7	64751HM8100	64751HM8100	64751HM8100	64751HM8100	SPACER, rear axle L(46T)	1		
8	64611HM8170120	64611HM8170120	64611HM8170120	64611HM8170120	DRUM, rear sprocket mounting	1		5
9	64511HM7900	64511HM7900	64511HM7900	64511HM7900	SPROCKET, rear	1		10
10	64733HM8100	64733HM8100	64733HM8100	64733HM8100	RETAINER, rear sprocket drum	1		5
11	01517-08358	01517-08358	01517-08358	01517-08358	BOLT, rear sprocket	6		
12	08319-31088	08319-31088	08319-31088	08319-31088	NUT, rear sprocket	6		
13	09285-28001	09285-28001	09285-28001	09285-28001	OIL SEAL, rear sprocket mounting drum	1		
14	08133-62047	08133-62047	08133-62047	08133-62047	BEARING, rear sprocket mounting drum	1		
15	09169-10013	09169-10013	09169-10013	09169-10013	WASHER, rear sprocket	3	NOT SALE	
16	64651HM8101	64651HM8101	64651HM8101	64651HM8101	SHOCK ABSORBER, rear wheel	6		30
17	64731HM8100	64731HM8100	64731HM8100	64731HM8100	SPACER, rear wheel bearing	1		
18	08133-62037	08133-62037	08133-62037	08133-62037	BEARING, rear wheel L	1		3
19	08133-62037	08133-62037	08133-62037	08133-62037	BEARING, rear wheel R	1		3
20	09280-55001	09280-55001	09280-55001	09280-55001	O-RING, rear brake	1		
21	69211HM8102	69211HM8102	69211HM8102	69211HM8102	DISK, rear brake	1		10
22	59421-03A01	59421-03A01	59421-03A01	59421-03A01	BOLT, rear brake disk	6		
23	64712HJ8200	64712HJ8200	64712HJ8200	64712HJ8200	WASHER, chain adjuster R	1		
24	64712HJ8200	64712HJ8200	64712HJ8200	64712HJ8200	WASHER, chain adjuster L	1		
25	69340HM8170120	69340HM8170120	69340HM8170120	69340HM8170120	CARRIER, caliper	1		
26	61610HM8101	61610HM8101	61610HM8101	61610HM8101	GUIDE, rear brake hose No.2	1		
27	09283-27010	09283-27010	09283-27010	09283-27010	OIL SEAL, rear axle	1		

FIG 47

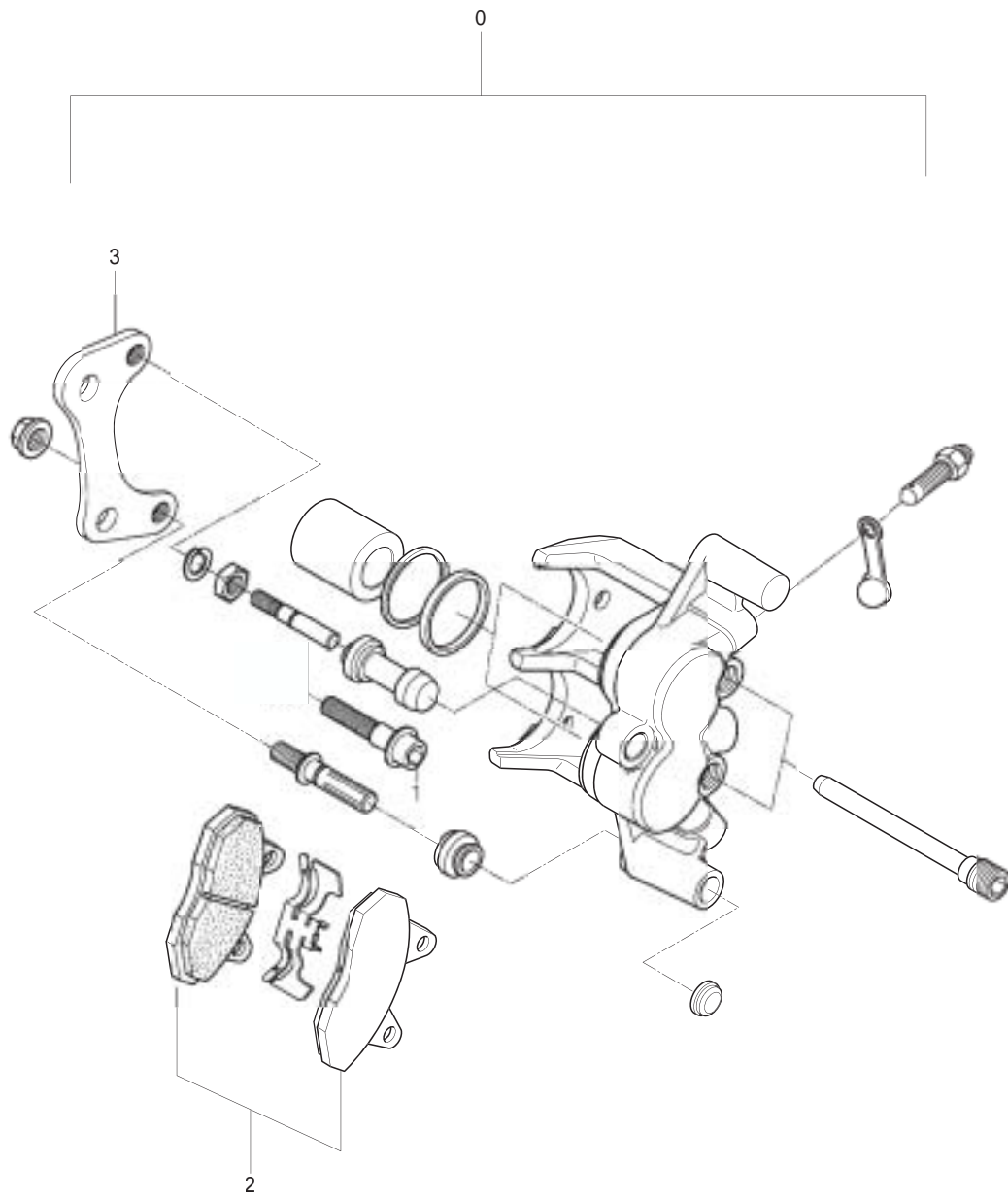


FIG 47. REAR CALIPER

REF.					PARTS NAME	Q`TY	REMARKS	
NO.	SEU01	SF01	SG01	SS01				REC. Q`TY
0	69300HP9500	69300HP9500	69300HP9500	69300HP9500	CALIPER ASS'Y,rear	1		5
1	07120-08308	07120-08308	07120-08308	07120-08308	BOLT,caliper	2		
2	59301HP9500	59301HP9500	59301HP9500	59301HP9500	PAD SET(8.4t)	1		
3	69340HM8170120	69340HM8170120	69340HM8170120	69340HM8170120	CARRIER, caliper	1		

FIG 48

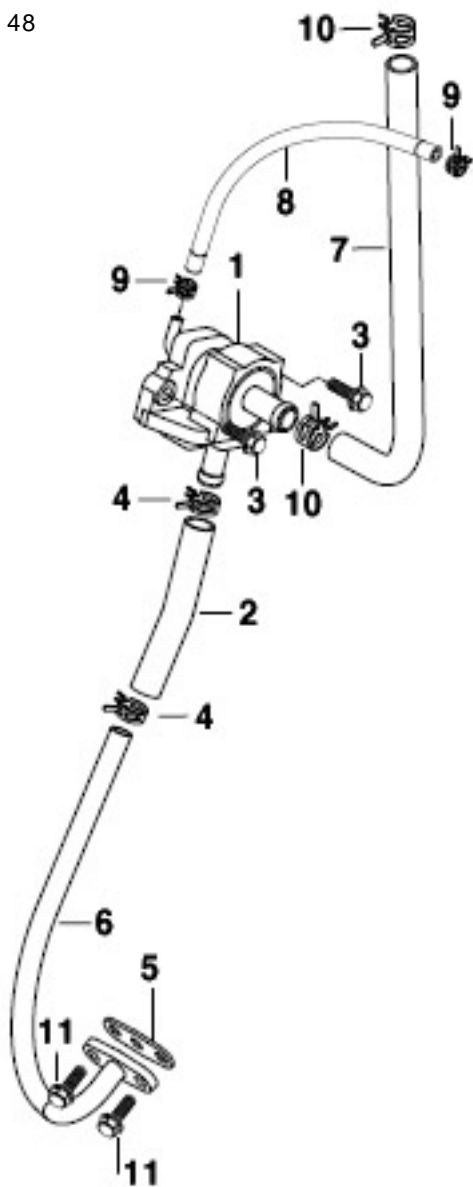


FIG 48. 2ND AIR

REF.					PARTS NAME	Q`TY	REMARKS	
NO.	SEU01	SF01	SG01	SS01				REC. Q`TY
1	18500HN9100	18500HN9100	18500HN9100	18500HN9100	VALVE ASSY' 2DN AIR	1		
2	18631HS6500	18631HS6500	18631HS6500	18631HS6500	HOSE, 2ND air pipe	1		
3	01547-06208	01547-06208	01547-06208	01547-06208	BOLT, 2ND air valve	2		
4	09401H13401	09401H13401	09401H13401	09401H13401	CLAMP, 2ND air pipe	2		
5	18615HN9101	18615HN9101	18615HN9101	18615HN9101	GASKET, 2ND air pipe	1		
6	18610HM8130	18610HM8130	18610HM8130	18610HM8130	PIPE COMP, 2ND air front	1		
7	18651HP7600	18651HP7600	18651HP7600	18651HP7600	HOSE, 2ND air cleaner RH	1		
8	18671HP9501	18671HP9501	18671HP9501	18671HP9501	HOSE, 2ND vacuum RH	1		
9	09401H08401	09401H08401	09401H08401	09401H08401	CLAMP, 2ND vacuum hose	2		
10	09401H14401	09401H14401	09401H14401	09401H14401	CLAMP, 2ND air cleaner hose	2		
11	09128-06005	09128-06005	09128-06005	09128-06005	BOLT, 2ND air pipe	2		